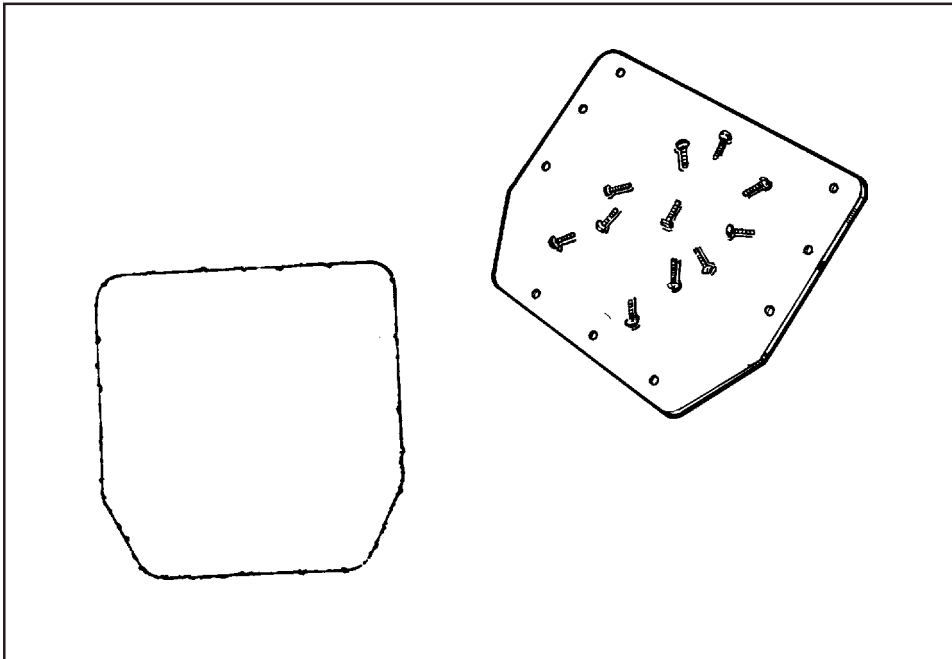




Winterizing Kit

Model 1-2040-006

Owner's Guide



MODEL 1-2040-006 PARTS LIST			
ITEM	P/N	QTY	DESCRIPTION
1	385-1303	1	Winterizing Plate
2	308-1176	1	Winterizing Plate Gasket
3	330-1178	11	#12 x 1 1/4" Screws
4	365-1646	1	Owner's Guide

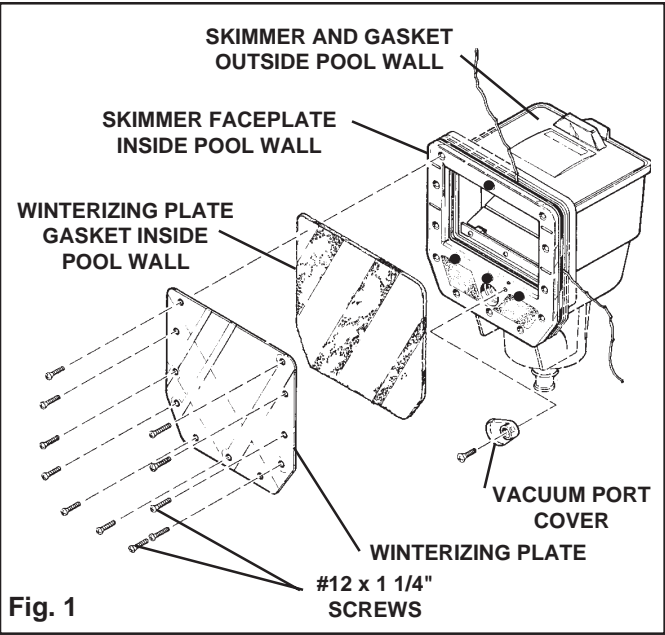


Fig. 1

Proper installation of the Lomart Winterizing Kit reduces the possibility of damage to your Lomart thru-wall skimmer due to freezing. Follow the instructions below.

PREPARATION

1. Drain pool water level six inches below the pool return fitting.
2. Disconnect hoses from skimmer and return fitting.
3. Remove vacuum port cover and screw. Place in skimmer basket to avoid losing.
4. Remove the outer 11 screws (see Fig. 1) from the skimmer faceplate. Note: Do not remove the three screws over the vacuum port cover, or the screw in the top center of the skimmer faceplate (shown bold in illustration in Fig. 1). Place the 11 screws in the skimmer basket also for safe keeping.

NOTE: Inspect pool wall for corrosion. If found, carefully remove the skimmer faceplate, skimmer, and gaskets. Peel liner from around opening. Remove corrosion. Use a corrosion resistant enamel paint to coat the effected area. Allow paint to dry thoroughly before reassembly.



INSTALLATION

1. Position the winterizing gasket and plate over the skimmer faceplate inside of pool. Insert the 11 #12 x 1 1/4" screws through the winterizing plate and gasket, and into the skimmer. IMPORTANT: while applying a light pressure on each screw, rotate them counter-clockwise until you feel the threads engage, then tighten all screws, alternating left and right, top and bottom. Repeat until all screws are evenly and securely tight. DO NOT overtighten.
2. Drain all water from the filter, hoses and pump. Clean all skimmer and filter components. Store all filtering components in a warm, dry place for the winter. For spring start-up, remove the winterizing plate and reinstall the vacuum port cover and the 11 skimmer screws. Refer to your skimmer installation instructions to finish reinstalling the skimmer.
3. The return fitting remains attached to the pool wall. The return fitting ball is replaced with a shut-off disc. (Refer to winterizing instructions in your skimmer Owner's Guide.)

Change of Design: Lomart Industries expressly reserves the right to change or modify the design and construction of any product in due course of our manufacturing procedures, without incurring any obligation or liability to furnish or install such changes or modifications on products previously or subsequently sold.



LOMART INDUSTRIES

P.O. Box 336 • Fontana, CA 92334