



Skimmer Extension

Models 0-2351-001/0-2351-002

Owner's Guide

Doughboy has made this skimmer extension for use with Doughboy Skim-Line and Deluxe Thru-Wall Skimmer models that are to be installed on a Doughboy Classic 8 1/2" or Impressions model pool. This extension will allow the extra room required for access to the skimmer. These instructions replace some steps in your Thru-Wall Skimmer/Skim Filter Owner's Guide. If you have followed the instructions included with your skimmer/skim filter to this point, you should have removed your skimmer from the carton, removed the lid and hardware package from your skimmer, and attached the weir assembly. You will not be using the faceplate screws that were provided with your skimmer/skim filter. The screws provided with this extension will replace them.

INSTALLATION

1. Reach over the top rail and carefully press the liner against the skimmer cutout in the wall. Punch out the two top corner holes with a nail.

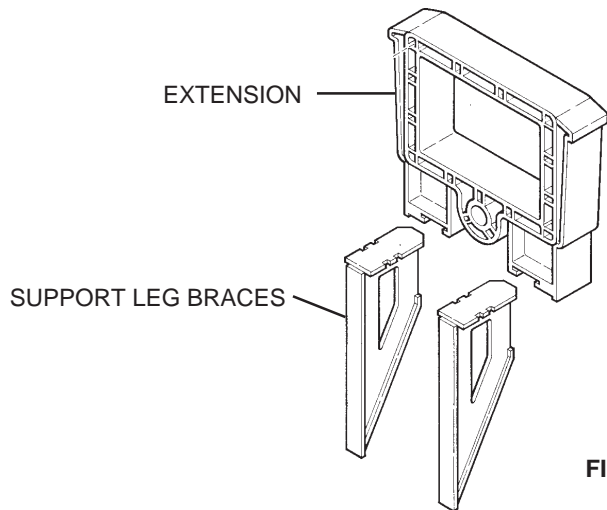


FIG. 1

2. If the skimmer/skim filter you purchased requires support leg braces and already has them installed, carefully pop them out. Slide the braces into the slots provided under the opening of the skimmer extension so that the flat surface of the braces is facing out (these will support the skimmer/skim filter against the pool wall, see Fig. 1). Press firmly on the braces to snap lock them into place.
3. The skimmer extension has two alignment tabs that will slide into the slots under the faceplate of the skimmer/skim filter. Align a gasket with the extension over the tabs. Slide the tabs of the extension into the skimmer/skim filter so that the gasket aligns between them. Set this assembly aside for now.

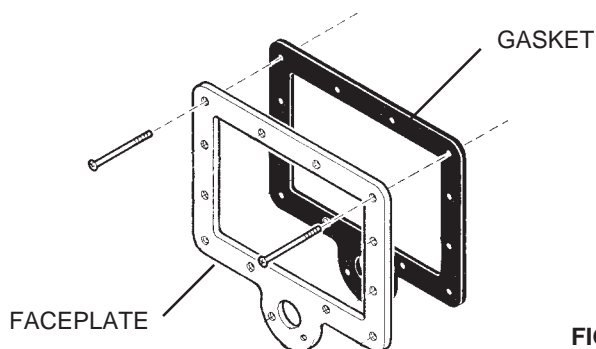


FIG. 2

4. Place one skimmer gasket (provided with the skimmer) on the skimmer faceplate. Insert two of the long, self-threading screws provided with this extension into the top corner holes (first through the faceplate, then the gasket, see Fig. 2). These screws must protrude through the top corner holes of the gasket. Next, from the inside of the pool, carefully push the screws through the holes which have been pierced in the liner.

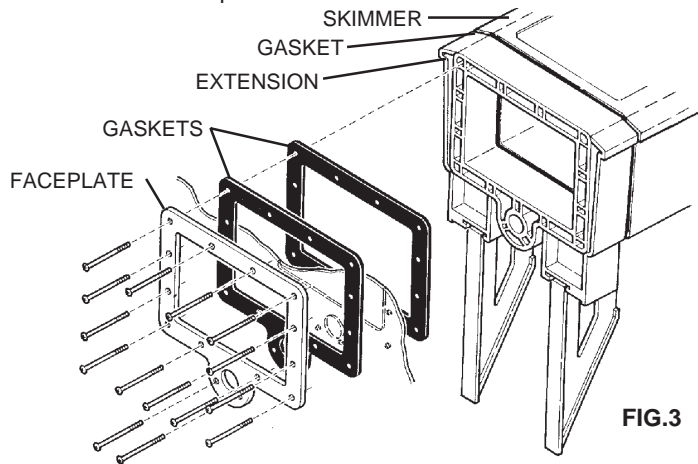


FIG.3

5. Place a second gasket (provided with the skimmer) on the exposed screw threads outside the pool wall. Place the skimmer/skim filter, gasket and extension assembly onto the screws. Turn the two screws just enough that the screw threads begin to thread into the skimmer/skim filter body. Do not tighten them down yet.
6. Insure all inside and outside gaskets are aligned and in contact with the flanges of the faceplate, extension, and skimmer. Using the faceplate as a guide, pierce the remaining 13 screw holes in the liner. Insert the remaining screws just enough that the screw threads begin to thread into the skimmer/skim filter body. Now, firmly tighten all screws evenly, alternating left to right, and top to bottom, until all screws are tight.
7. At this point return to your skimmer/skim filter owner's guide to finish skimmer and return fitting installation.

PARTS LIST			
Item	Part No.	Qty.	Description
1.	340-1763	1	Skimmer Extension - Beige
	340-2042	1	Skimmer Extension - Gray
2.	307-1027	1	Gasket
3.	303-1170	15	#12 x 3 1/4" Screw
4.	365-1667	1	Owner's Guide

CHANGE OF DESIGN: Doughboy Recreational expressly reserves the right to change or modify the design and construction of any product in due course of our manufacturing procedures, without incurring any obligation or liability to furnish or install such changes or modifications on products previously or subsequently sold.

