

"the original portable pool"



Owner's Guide

Pressure Air Switch Kit Model 0-2351-007

FOR PPII AND PPIII POOL POWER PAK PUMPS WITH TIMER PRODUCED AFTER 1994

Your Pool Power Pak pump can now be manually started and shut off from a remote location by pressing an actuator bulb to activate a pressure air switch that starts and stops your Pool Power Pak operation. The actuator bulb can be mounted on a deck, wall, fence or any convenient location within 25 feet of your Pool Power Pak. Longer distances can be achieved by purchasing extra tubing and connectors from your pool dealer.

CAUTION

Before installing the Pressure Air Switch, unplug your Pool Power Pak cord from the power source.

REMOVE POWER PAK COVER

Referring to your Pool Power Pak Owner's Guide for either Pool Power Pak II or III, remove the motor cover, leaving all wire connections intact.

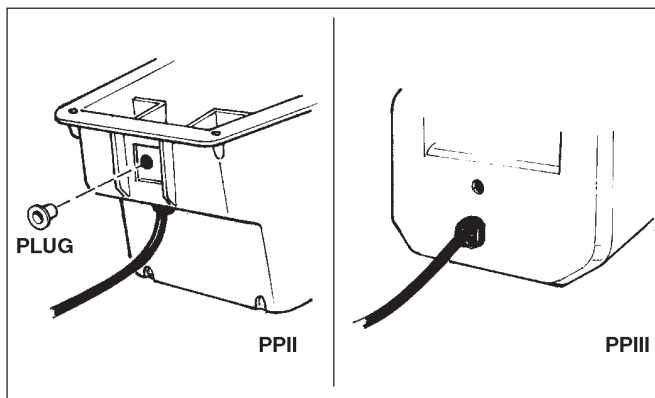
PREPARE POWER PAK FOR INSTALLATION

Power Pak II

Remove the hole plug from the rear of the bottom housing and chase out the hole with a 1/2" diameter drill.

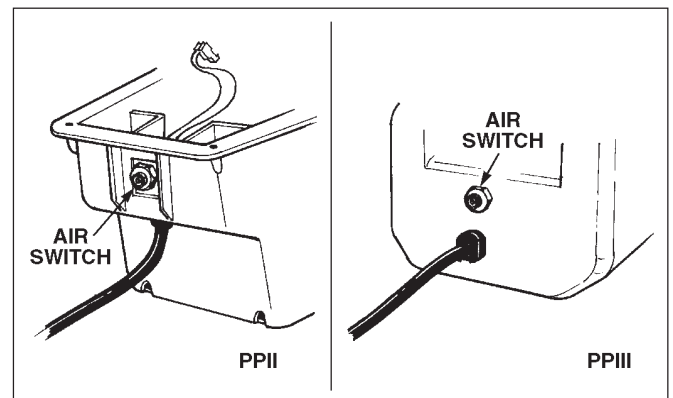
Power Pak III

Drill a 1/2" diameter hole in the rear of the motor cover just above the cord location as shown.



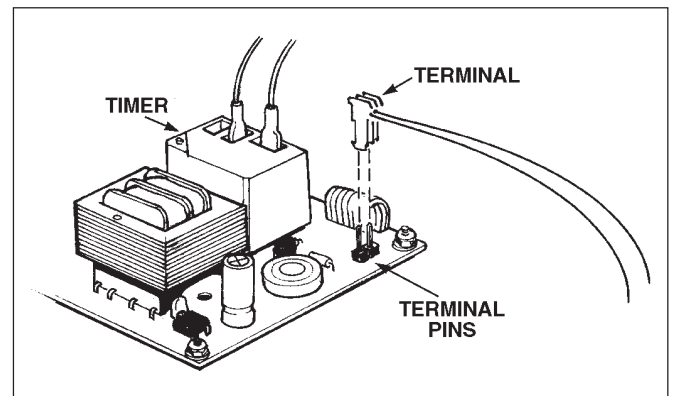
INSTALL PRESSURE AIR SWITCH

Insert the Pressure Air Switch from the inside of the rear housing (PPII) or motor shroud (PPIII) and secure with nut provided.



PLUG TERMINAL ONTO TIMER

Plug the Pressure Air Switch terminal onto the timer pins as shown.



REINSTALL MOTOR COVER

Reinstall the motor cover referring to your Pool Power Pak Owner's Guide

CONNECT TUBING

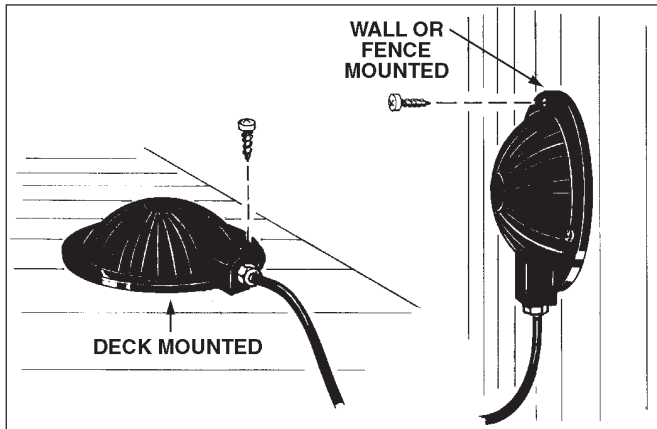
Push one end of tubing into the Pressure Air Switch and onto the barb connection until fully seated. Push the other end of the tubing onto the barb fitting in the actuator bulb.

MOUNT ACTUATOR BULB

Mount the actuator bulb on a deck, wall, fence or any convenient location within 25 feet of your Pool Power Pak using three #8x1" long pan head sheet metal screws (not provided). Trim excess tubing length, if necessary.

CAUTION

Do not install the actuator bulb in a location where someone might trip on it.

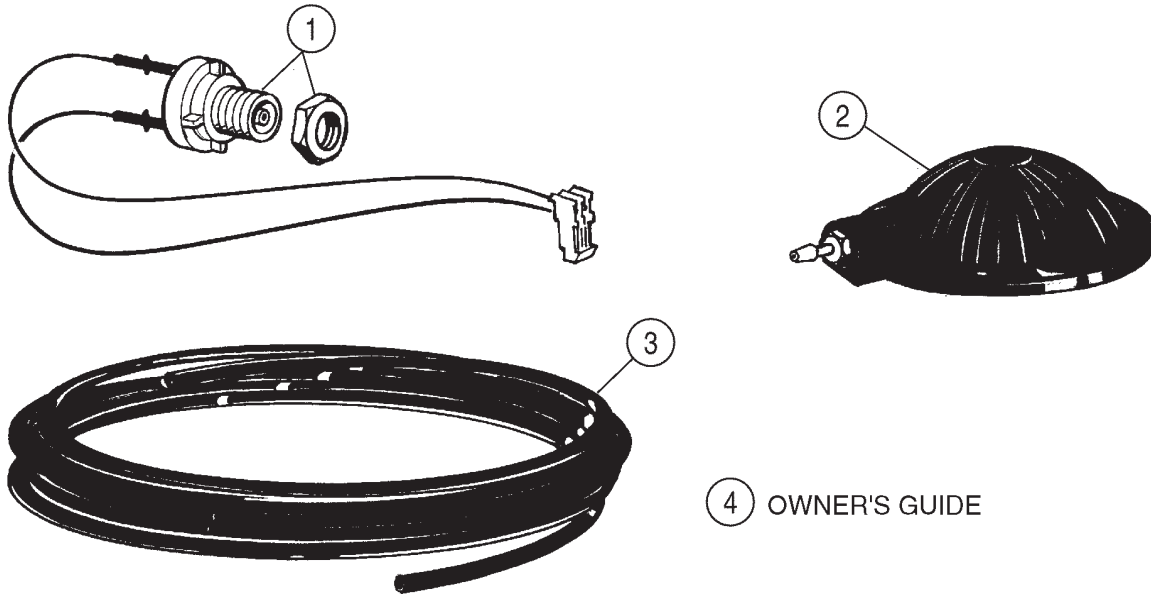


OPERATION

Plug Pool Power Pak cord into power receptacle. Press once on the actuator bulb to manually start your Pool Power Pak pump and press again when you wish to shut off the pump.

IMPORTANT: Manually turning your pump on overrides any timer programs that are existing; therefore, if the pump is turned on with the air switch, it will continually run until it is manually turned off. When the pump is turned off manually with the air switch, all the preset programs will operate normally.

PARTS LIST



4 OWNER'S GUIDE

ITEM	PART #	QTY	DESCRIPTION
1	1100-1402	1	Pressure Switch Assembly
2	348-1048	1	Actuator Bulb with Fitting
3	341-1316	1	5/16" x 25' Tubing
4	369-1209	1	Owner's Guide

DOUGHBOY RECREATIONAL • 10959 Jersey Blvd., • Rancho Cucamonga, CA 91730

DB 895-018

Made in the United States of America

Copyright © 1995