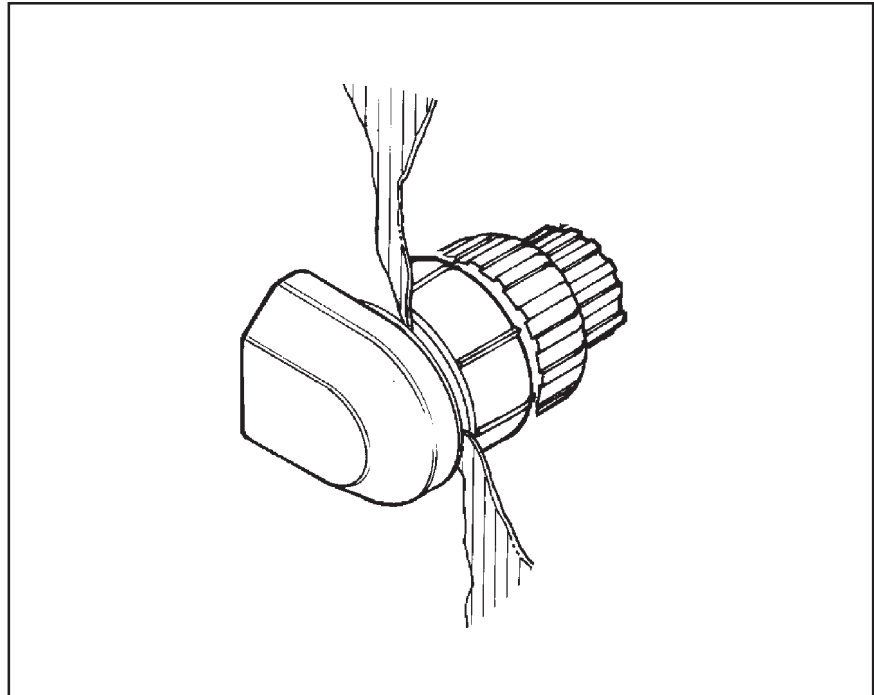




High Flow Return Fitting Kit

Model 0-2351-004

Owner's Guide



RETURN FITTING INSTALLATION

To replace existing Doughboy return fitting: Drain the pool down about 1" below the return fitting. Completely remove the return fitting from the wall. Follow "Installation" below.

To replace existing return fitting other than Doughboy: The hole through the wall must be a minimum of 1-15/16" in diameter and cannot exceed 2-1/8" in diameter. Drain the pool down about 1" below the return fitting. Completely remove the return fitting from the wall. Follow "Installation" below.

For a new pool installation: Locate a board large enough to cover return fitting cut-out. From inside of pool, use the board to hold liner against cut-out in pool wall. Keep hands away from hole to avoid injury. From outside of pool, use the cut-out as a guide and cut away liner with a razor knife.

INSTALLATION

(without pressure type pool cleaner)

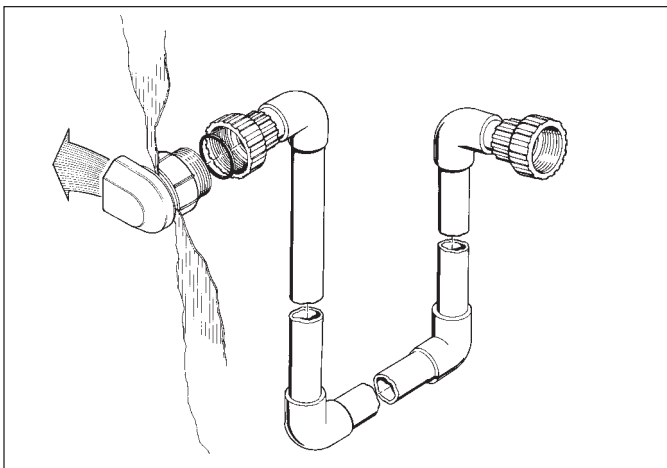
1. Slip a gasket (2) over the threads of the return fitting (1) and push threaded end through the wall from inside pool. Place the second gasket over the threads now exposed outside the pool.
2. Hold the return fitting (1) so the opening is facing away from the skimmer and slightly downward. Thread the union adaptor (3) onto the return fitting and tighten firmly. **Hint:** Using an oil filter wrench to tighten the union adaptor will make the job easier.

INSTALLATION

(with pressure type pool cleaner)

1. Slip a gasket (2) over the threads of the return fitting adaptor (9) and push threaded end through the wall from inside pool. Place the second gasket over the threads now exposed outside the pool.
2. Hold the return fitting adaptor (9) and thread the union adaptor (3) onto it and tighten firmly. **Hint:** Using an oil filter wrench to tighten the union adaptor will make the job easier.
3. Your pressure type pool cleaner will attach to the return fitting adaptor.

Your high flow return fitting is provided with a union socket (6) for hard plum installations and a union hose adaptor (8) for attaching flexible or corrugated hose.



HARD PLUMB INSTALLATIONS

Using a 1-1/2" Schedule 40 PVC pipe with ends cut square, remove any burrs. Cut pipe to length as required between joints and loosely assemble for proper fit prior to solvent welding. Slip the union nut (7) onto the pipe with the female threads facing the union adaptor (3). Then, solvent weld the union socket (6) onto the pipe using primer and PVC/ABS solvent cement. DO NOT Allow solvent cement to contact the sealing surface of the union socket (6).

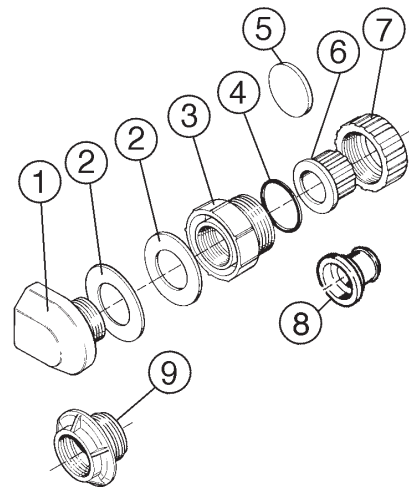
Insert the o-ring (4) into the union adaptor groove, then secure the cemented pipe assembly onto the union adaptor (3) with the union nut (7).

HOSE INSTALLATIONS

Insert the o-ring (4) into the union adaptor (3) groove. Next, insert the union hose adaptor (8) into the union nut (7) and secure onto the union adaptor (3) firmly. Slip a hose clamp onto the hose end, then push hose end onto the union hose adaptor (8). Align the hose clamp (provided with your skimmer or filter) on the hose between the union nut (7) and the hose adaptor barb and tighten firmly.

TO WINTERIZE POOL

Drain pool down below the return fitting. Loosen union nut (7) and pull back the union socket (6). Insert the winterizing disc (5) between o-ring (4) and union socket (6). Retighten union nut (7) onto union adaptor (3) firmly.



PARTS LIST

ITEM	PART #	QTY	DESCRIPTION
1	340-2051	1	Return Fitting
2	308-1110	2	Return Gasket
3	340-2052	1	Union Adaptor
4	308-1230	1	O-Ring
5	340-2099	1	Winterizing Disc
6	340-2047	1	Union Socket
7	340-2048	1	Union Nut
8	340-2083	1	Union Hose Adaptor
9	340-1791	1	Return Fitting Adaptor
10	365-1663	1	Owners Guide
11	368-1066	1	Warranty Card