

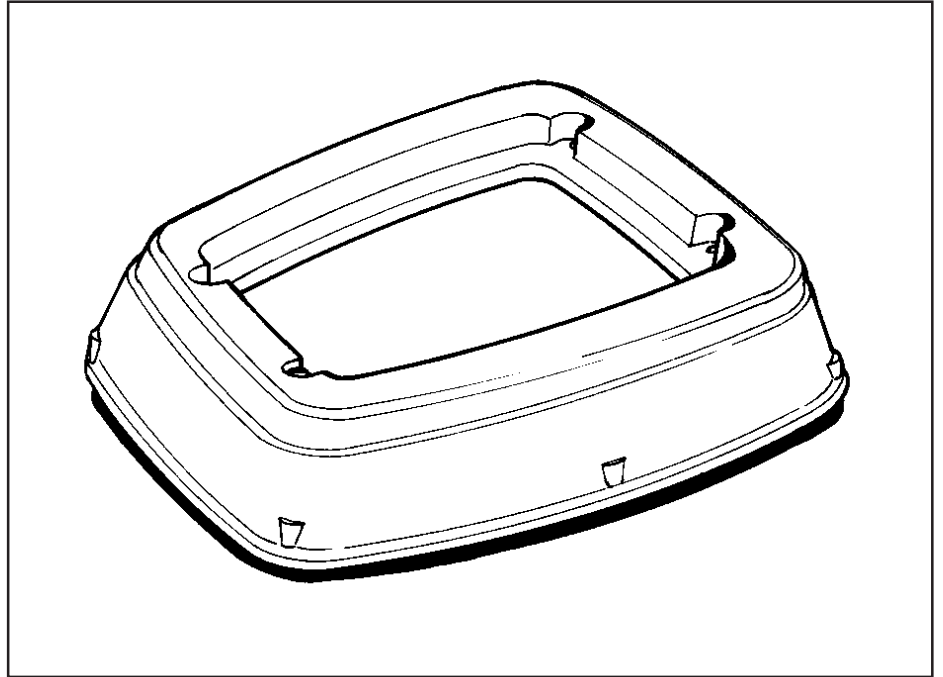


Pump Base

Power Pak I[®], Power Pak II[®]

Model 0-2380-002

Owner's Guide



PREPARATION

The pump base must sit on a firm, level pad located near the pool wall. Patio blocks are a suitable material to use for the pad, however any material that is firm and level is acceptable. The pad provides support to the pump base and allows for easy maintenance. The pad also keeps grass from blocking air to the Pool Power Pak®, and standing water away from electrical parts. Construct the pad by arranging six to nine 14" x 14" patio blocks on a leveled area located at least 5 ft. from the pool wall between the skimmer and return fitting as shown below. Make sure hoses will reach prior to hookup of your Pool Power Pak®.

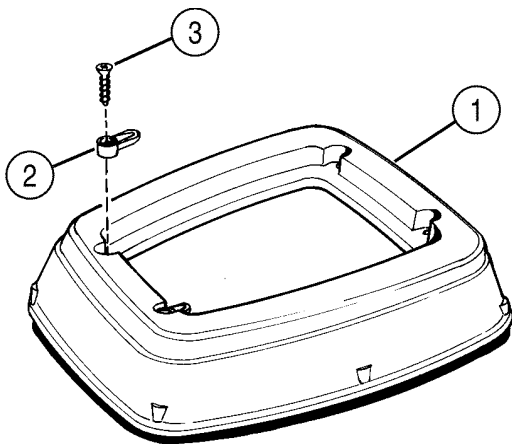
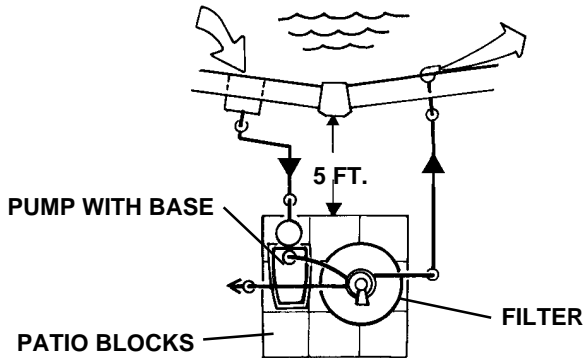


FIG. 1

INSTALLATION

1. Install two cleats (2) into the narrow end of the base (1) using two screws (3) as shown in Fig. 1.
2. Assembly of the other two cleats is easier if you pre-thread the holes first. This is done by installing the screws, then removing them.
3. Slide the Power Pack into the narrow end of the base making sure the two front cleats slide into the slots provided in the Power Pak housing. See Fig. 2.
4. Insert the two remaining cleats (2) into the slots on the wider end of the Power Pak housing while lowering it into the base. Secure with two screws as in Step 1.

MODEL 0-2380-002

ITEM	PART NO.	QTY	DESCRIPTION
1	340-2136	1	Pump Base
2	340-1273	4	Cleat
3	330-1004	4	#12 x 27/32 Screw
4	365-1729	1	Owner's Guide

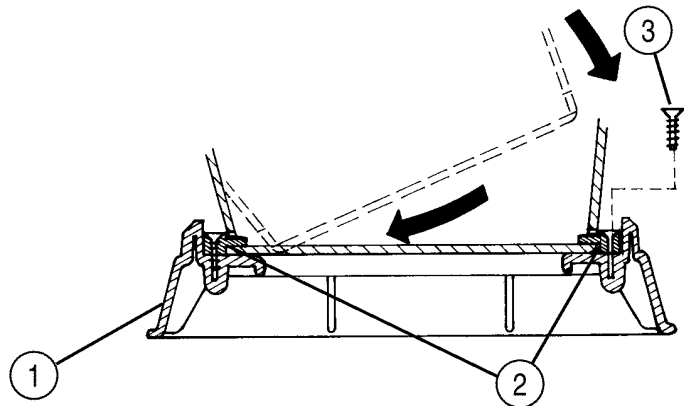
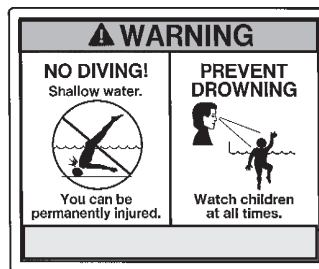


FIG. 2



Change of Design: Doughboy Recreational expressly reserves the right to change or modify the design and construction of any product in due course of our manufacturing procedures, without incurring any obligation or liability to furnish or install such changes or modifications on products previously or subsequently sold.

"the original portable pool"

doughboy®

DOUGHBOY RECREATIONAL • 10959 JERSEY BLVD • RANCHO CUCAMONGA, CA 91730
DB 796-003 Made in the United States of America Copyright© 1996