



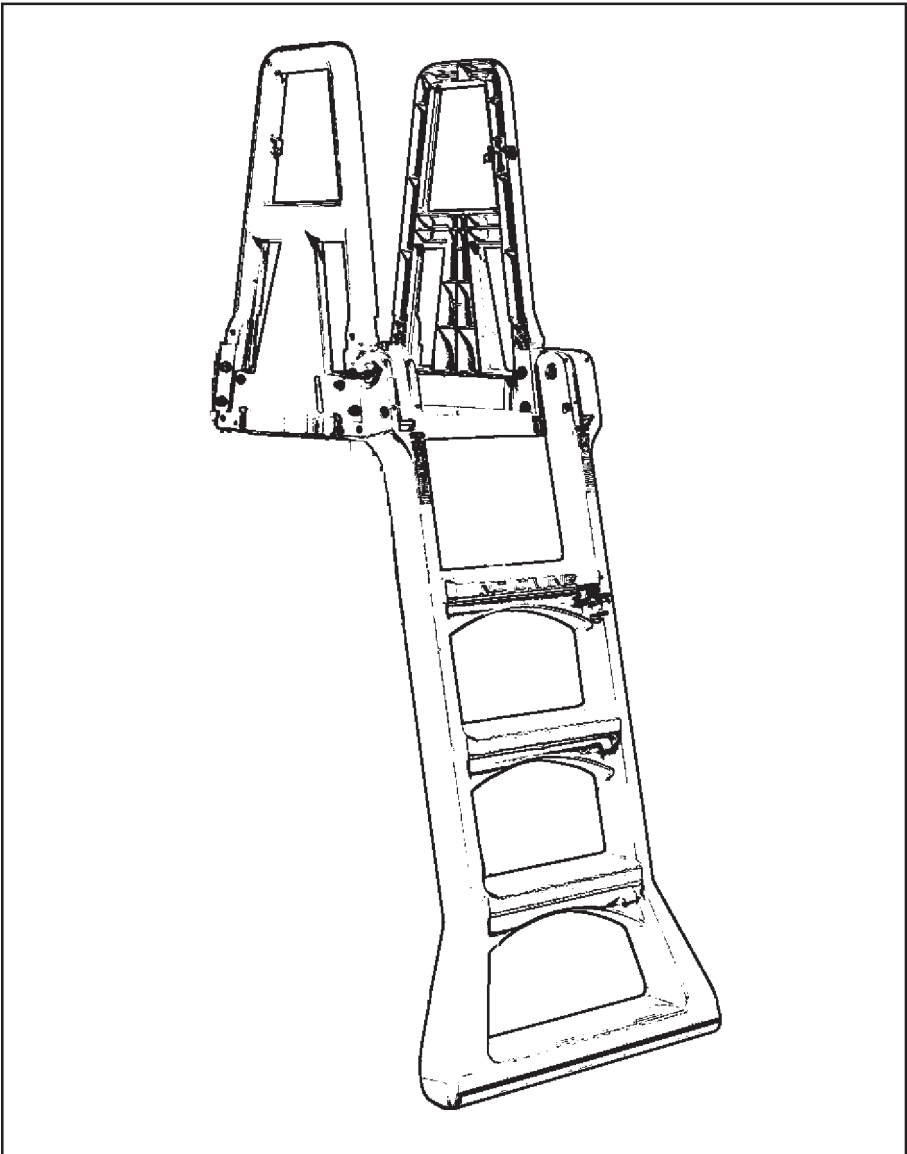
Deck Ladder

"Built Tough To Last"

Model 0-5700-001 17" Deck Ladder

Model 0-5700-003 19" Deck Ladder

Owner's Guide and Warranty



⚠ WARNING

READ ALL INSTRUCTIONS - Failure to follow these important safety instructions and other basic safety precautions may result in serious personal injury.

IMPORTANT SAFETY INSTRUCTIONS

1. This ladder is to be used as a swimming pool deck ladder only.
2. The ladder must be installed in accordance with these instructions.
3. Ladder must be located on a solid base and secured to the pool top rail.
4. Maximum weight of persons using ladder is limited to 300 pounds (136 kgs.)
5. One person on the ladder at a time.
6. Face ladder when entering or leaving pool.
7. **DANGER - NO DIVING - NO JUMPING FROM LADDER. DIVING INTO SHALLOW WATER CAN CAUSE QUADRIPLÉGIA. SUPERVISE ALL GUESTS AND INVITEES. DO NOT ALLOW ANY TYPE OF DIVING OR JUMPING.**
8. **WARNING - TO PREVENT ENTRAPMENT OR DROWNING, DO NOT SWIM THROUGH, BEHIND OR AROUND LADDER.**
9. Do not sit on top of ladder hand rails.
10. Watch children and pets at all times. They may climb the ladder to gain access into the pool and possibly drown.
11. Do not place or secure any items on or to the ladder, such as: towels, thermometer, floating skimmer, safety ropes or objects that may entangle, trip or injure a swimmer.
12. When outside pool ladder is not in use, swing up and latch.

CAUTION

The outside steps are very heavy and the swing up and latch feature to secure the pool may not be feasible for certain persons due to their stature or physical capabilities.

If you are not physically capable of lifting the steps to their upright position to secure against unauthorized pool entry, or when the pool is not in use, simply remove the clevis pin from the left and right sides of the steps, and move the steps to a secure area away from the pool.

13. **DANGER - ELECTRICAL HAZARD.** Use extreme caution when using an electric drill near water. NEVER use an electric drill when standing in water for ladder installation, use a cordless drill, if possible.

TOOLS REQUIRED

- Drill (cordless type recommended)
- 5/16" Drill bit
- Small and medium Phillips screwdriver
- 9/16" wrench
- Hammer
- Center punch
- Marking pen
- Tape measure

Outside Deck Ladder Only:

- Flat blade shovel
- Carpenter's level

Building Up Deck Only:

- Carpenter's saw
- Carpenter's square

MATERIALS REQUIRED

Outside Deck Ladder Only:

- Three (3) 12" x 12" x 2" patio blocks

Building Up Deck Only:

- Materials for building up deck for mounting handrails

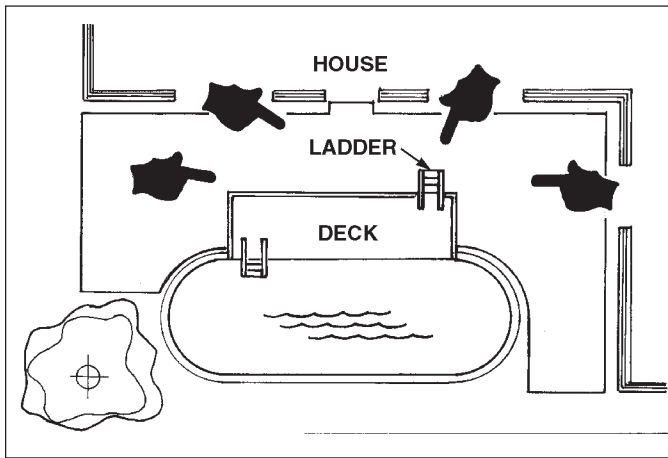


Your new Doughboy deck ladder is built tough to last. It is designed for deck mounting for easy access to and from the deck, from pool or ground. The convenient swing-up feature of the outside pool ladder steps, with automatic latching and provisions for padlocking, provides security against unauthorized entry of small children and pets without the need for removing the entire ladder.

Before you begin the assembly and installation, make sure no parts are missing. DO NOT assemble the ladder unless all parts are available or ladder failure may result in serious personal injury. Report any missing parts to your dealer for prompt replacement.

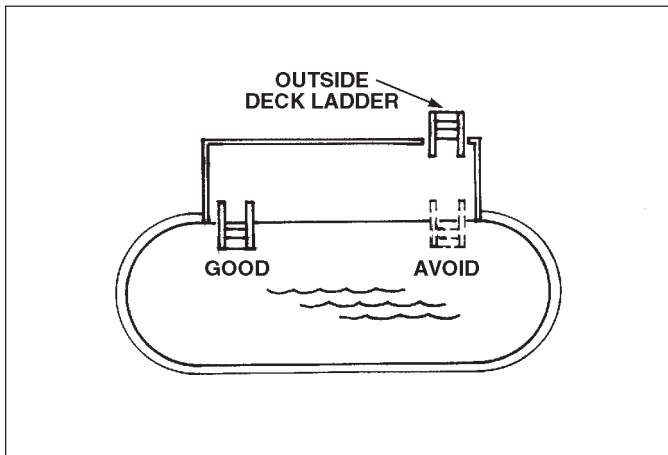
SELECT LADDER LOCATION

Select the ladder(s) installation position on your pool deck where it can be viewed from all directions to prevent possible unauthorized access to pool.



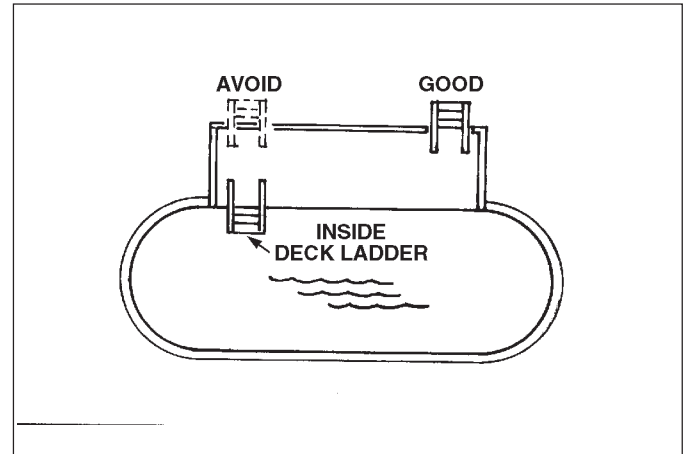
INSIDE POOL DECK INSTALLATION

Locate the inside pool deck ladder for convenient access to and from the pool. Avoid locating ladder adjacent to outside deck ladder or stairway traffic. The bottom of the ladder steps must rest on a flat surface on bottom of pool.



OUTSIDE POOL DECK INSTALLATION

Locate the outside pool deck ladder for convenient access to and from the pool deck. Avoid locating ladder adjacent to the inside pool deck ladder traffic. The bottom of the ladder steps must rest on a firm, flat surface such as patio blocks or optional concrete pad.



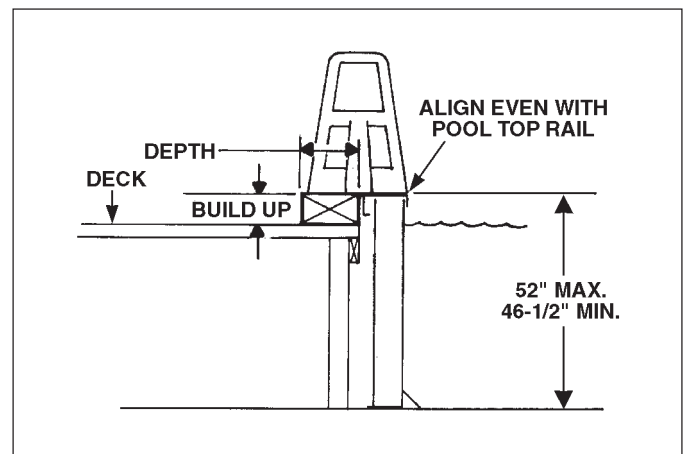
LOCATION PREPARATION

Deck elevations above or below the pool top rails will vary depending on your type of installation. The ladder steps are provided with an adjustable height range of 5-1/2", allowing for installation when the deck surface to ground or pool floor is not less than 46-1/2" or higher than 52".

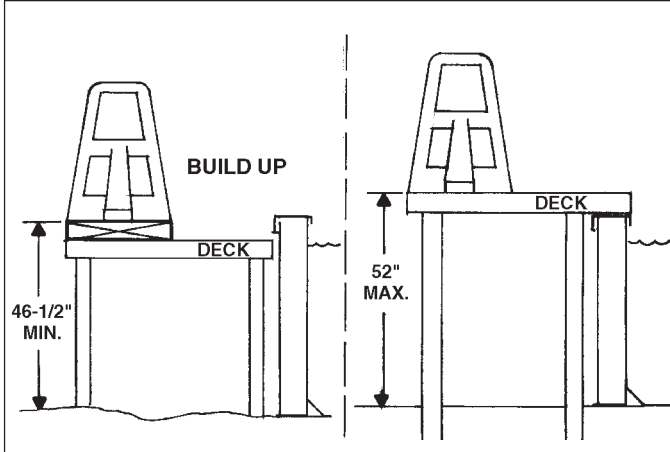
For outside pool deck ladder installation, a minimum of three (3) patio blocks must be positioned to support the ladder steps (concrete pad optional).

DECK PREPARATION

Inside Pool Deck Ladder: If your deck is lower than the pool top rails, it will be necessary to build up the area on the deck where the handrails will be installed. To determine depth of mounting area, position edge of one handrail, as shown, even with edge of pool top rail. Measure from behind the pool top rail to back edge of handrail and make width a minimum of 26". Measure from deck surface to underside of handrail for thickness of build up. Build up the area with lumber, firmly attaching to deck. Trim splintered or sharp edges. If the deck is higher than the pool top rails, it must not exceed 52" above the pool floor. Ladder will not work if deck is higher than 52" from pool floor.

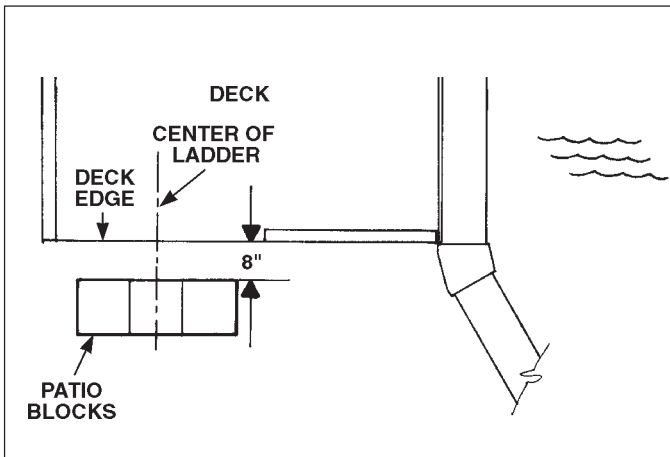


Outside Pool Deck Ladder: If the deck is lower than 46-1/2" to the ground level, it will be necessary to build up the area on the deck where the handrails will be installed to at least 46-1/2", but not more than 52" above the ground level. The built-up surface should measure 20" deep x 26" wide. Build up the area with lumber, firmly attaching to deck. Trim splintered or sharp edges. Note: The ladder cannot be installed if deck surface is higher than 52" above the ground surface.



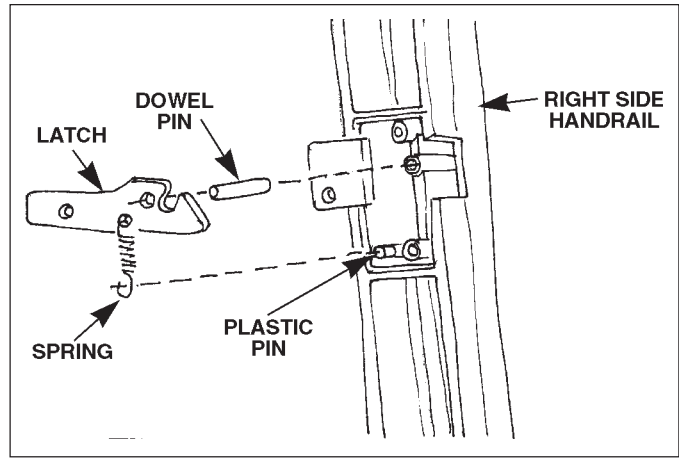
**PLACE PATIO BLOCKS
(Outside Ladder)**

Center the three patio blocks with center of deck ladder installation position as shown with edge of patio blocks back from deck edge 8". Level tops of patio blocks even with bottom of pool wall frame.



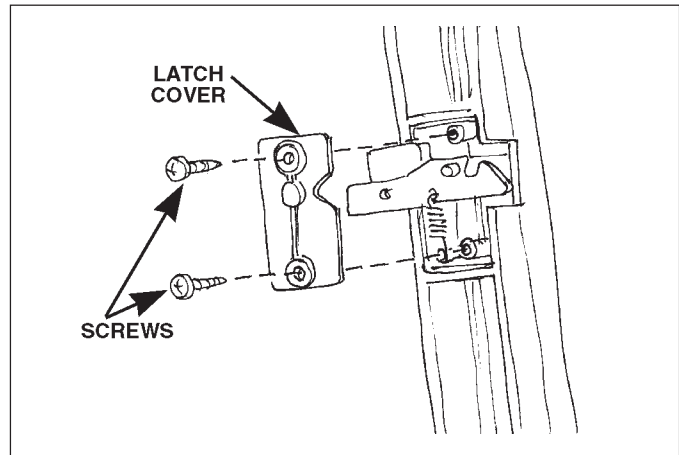
**ASSEMBLE LATCH
(Outside Deck Ladder)**

Insert the dowel pin into the handrail on the right side as shown. Place one end of the spring into the center, bottom hole of the latch and the other end over the plastic pin in the handrail. Place the latch onto the dowel pin.



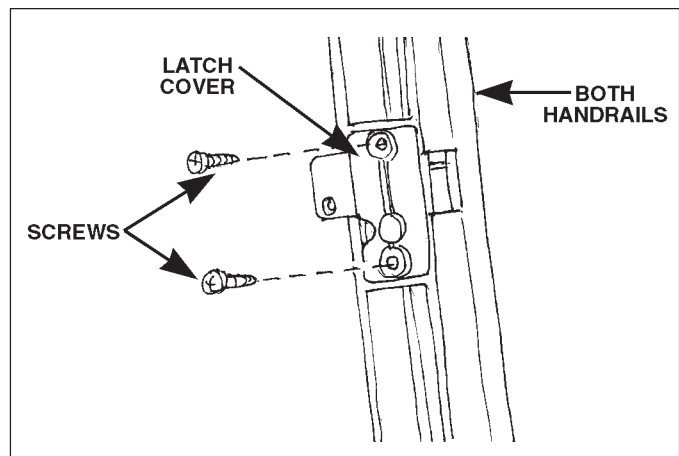
**INSTALL LATCH COVER
(Outside Deck Ladder)**

Insert the dowel pin into the handrail on the right side as shown. Place one end of the spring into the center, bottom hole of the latch and the other end over the plastic pin in the handrail. Place the latch onto the dowel pin.



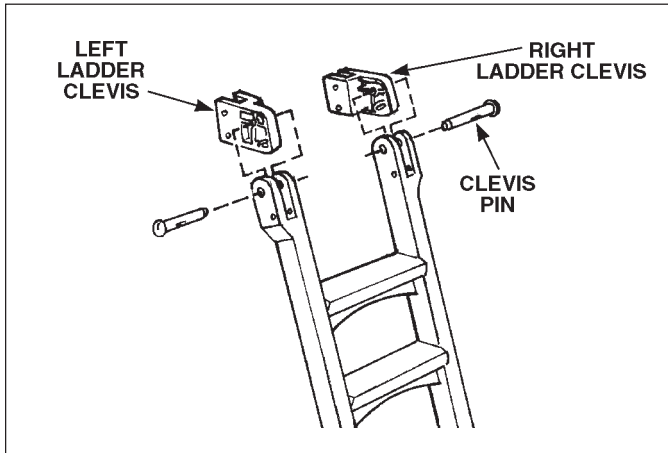
**INSTALL LATCH HOLE COVERS
(Inside Deck Ladder)**

Discard the latch, spring, dowel pin, latch bar and the two push nuts as they are not required for the inside deck ladder. Position the covers in the place over both latch openings and secure with two #10 x 1/2" screws.



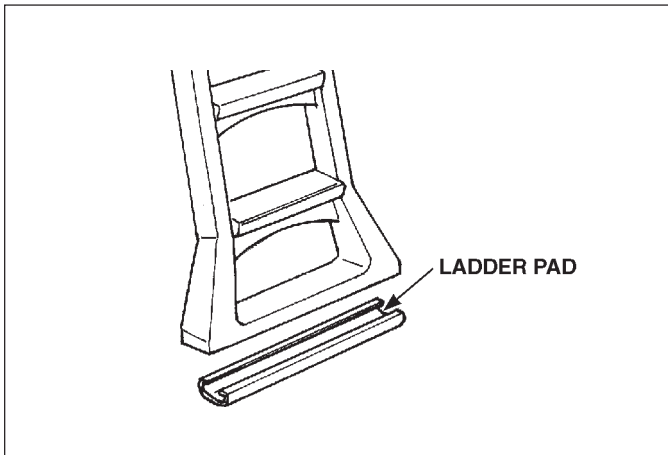
ASSEMBLE LADDER CLEVIS TO LADDER STEPS

Assemble a clevis-"right" and clevis-"left" to the top of ladder step rails as shown and secure them in place with a clevis pin by pushing them through holes from the outside until they snap into place.



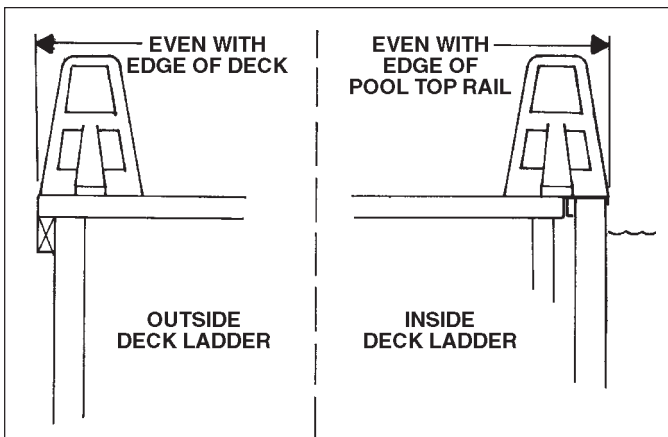
ASSEMBLE LADDER PAD TO LADDER STEPS

Snap ladder pad onto the bottom of the ladder step assembly.



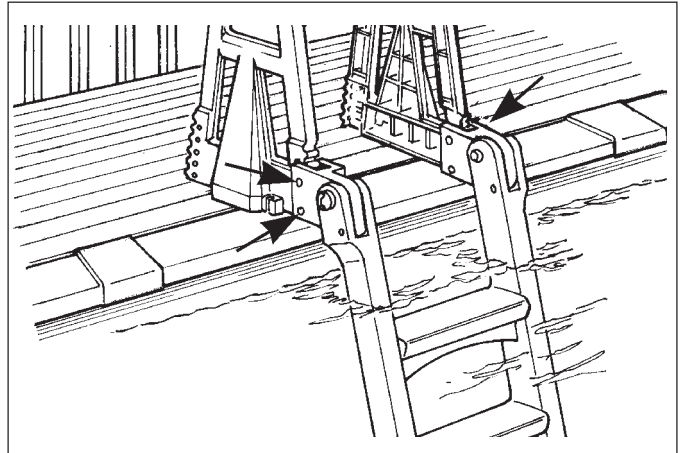
POSITION HANDRAILS ON DECK

Position the handrails on the deck, centered at the installation position with the front edge aligned evenly with the deck edge (outside pool ladder) or inside edge of pool top rail (inside pool ladder) as shown.

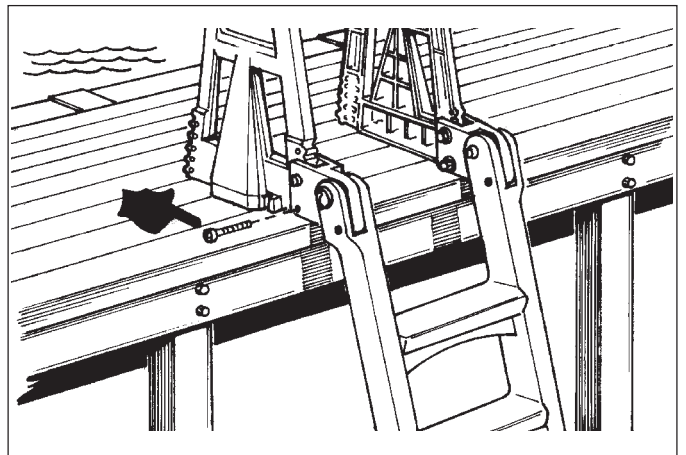


INSTALL LADDER STEPS

Inside Pool Ladder: Place the inside pool ladder steps inside pool with bottom ladder pad touching pool floor. Align two of the ladder clevis holes with two of the holes in the handrails and loosely assemble with 3/8" x 2-3/4" screws, washers and acorn nuts.

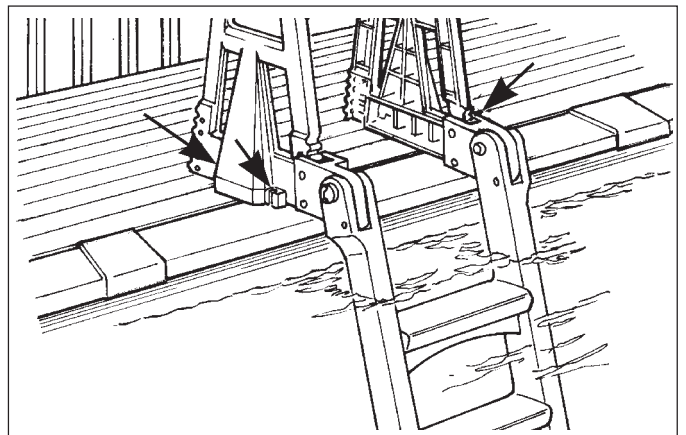


Outside Pool Ladder: Position the outside pool ladder steps against the handrails, aligning two ladder clevis holes with two of the holes in the handrails, and loosely assemble with 3/8" x 2-3/4" screws, washers and acorn nuts.



MARK MOUNTING HOLES

Adjust the ladder assembly to the desired installation position and mark the mounting hole locations with a felt pen. Shift ladder assembly to one side in preparation for drilling holes.



DRILL DECK HOLES

▲ DANGER ELECTRICAL HAZARD

Use extreme caution when using an electric drill near water. NEVER use an electric drill when standing in water. For ladder installation, use a cordless drill if possible.

Depending on your particular deck construction, it may be necessary for you to purchase longer bolts for mounting through horizontal beams, than the four 1/4" x 4" long mounting bolts provided. We DO NOT recommend the use of lag bolts, as they tend to loosen and may strip out.

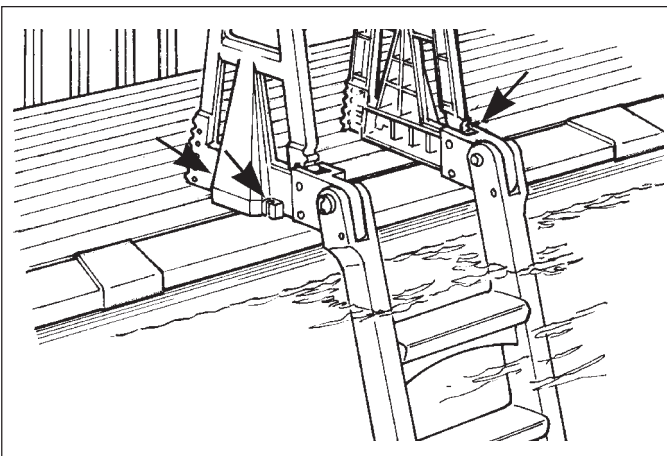
CAUTION

When drilling mounting holes in the pool top rail, drill chips may fall into pool. Place a piece of cardboard under drilling positions to catch the chips.

Center punch the hole positions and use a 5/16" drill bit to drill mounting holes.

SECURE LADDER TO DECK

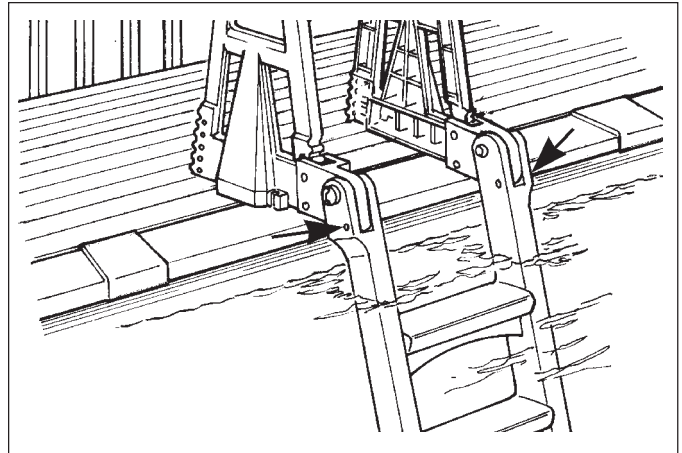
Align handrail mounting holes with the drilled mounting holes. Slip a 1/4" washer onto each 1/4" x 4" long screw and insert them from top and secure with 1/4" wing nuts. At this time, firmly secure all hardware.



SECURE INSIDE POOL LADDER STEPS

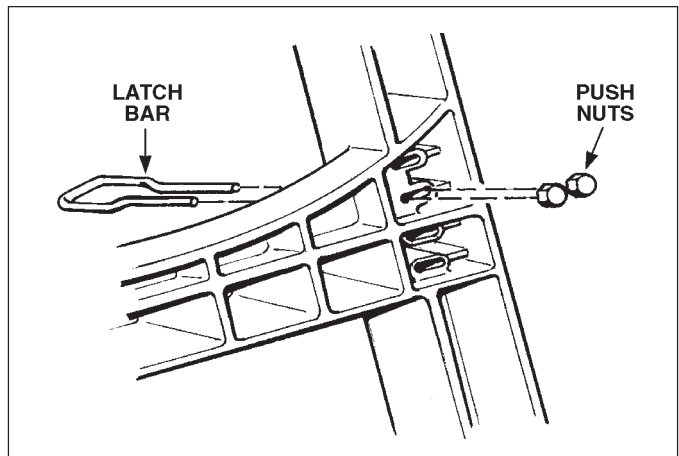
Insert 3/8" x 3" long bolts through holes (located below clevis pins) from outside of ladder rail. Insert square nut into recess from inside and firmly tighten bolt.

Note: These bolts are not used for outside pool ladder.

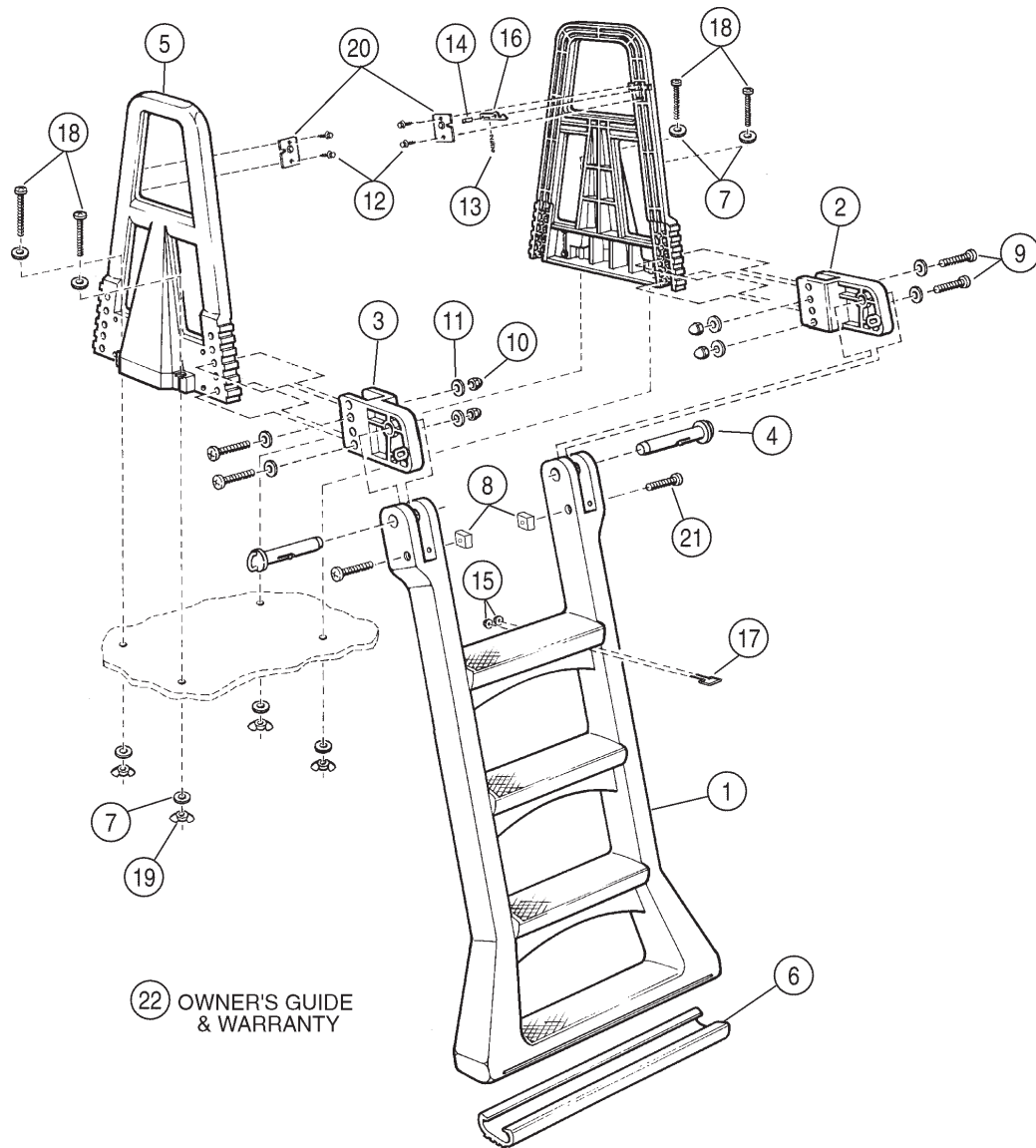


INSTALL LATCH BAR (Outside Deck Ladder)

Swing the outside deck ladder steps to the upright position and insert the latch bar through the proper set of holes in the right side of the ladder step rail, aligning with latch on handrail for correct engagement. Secure the latch bar to the ladder with two 3/16" push nuts.



EXPLODED VIEW - MODELS 0-5700-001 AND 0-5700-003



PARTS LIST - MODELS 0-5700-001 AND 0-5700-003

ITEM	MODEL # 0-5700-001 PART #	MODEL # 0-5700-003 PART #	QTY	DESCRIPTION
1	340-1899	340-1900	1	Ladder Steps
2	340-1937	340-1937	1	Ladder Clevis-Right
3	340-1939	340-1939	1	Ladder Clevis-Left
4	340-1908	340-1908	2	Clevis Pin
5	5188-0056	5188-0056	2	Handrail and Decal Assembly
6	341-1268	341-1269	1	Ladder Pad
7	327-1051	327-1051	8	1/4" I.D. x 3/4" O.D. S.S. Washer
8	321-1074	321-1074	2	3/8-16 S.S. Square Nut
9	330-1227	330-1227	4	3/8-16 x 2-3/4" S.S. Screw
10	321-1075	321-1075	4	3/8-16 Acorn Nut
11	327-1003	327-1003	8	3/8" S.S. Flat Washer
12	330-1228	330-1228	4	#10 x 1/2" S.S. Screw
13	396-1021	396-1021	1	Spring
14	332-1127	332-1127	1	3/16" x 7/8" S.S. Dowel Pin
15	332-1128	332-1128	2	3/16" S.S. Push Nut
16	580-1809	580-1809	1	Latch
17	385-1335	385-1335	1	Latch Bar
18	330-1229	330-1229	4	1/4-20 x 4" S.S. Screw
19	321-1076	321-1076	4	1/4-20 S.S. Wing Nut
20	340-1909	340-1909	2	Latch Cover
21	330-1226	330-1226	2	3/8-16 x 3" S.S. Screw
22	573-2889	573-2889	1	Owner's Guide and Warranty

"the original portable pool"



FIVE YEAR PRORATED LIMITED WARRANTY

IMPORTANT: Failure to follow safety instructions or misuse of this ladder may result in crippling injury and/or other dangers to life and health. It is your responsibility to secure your pool against unauthorized, unsupervised, or unintentional entry. Always obey all safety rules. Remember, pool safety is everybody's responsibility.

TERMS AND CONDITIONS

Retain this warranty along with your sales receipt and/or proof of purchase.

1. Doughboy Recreational is the warrantor of this product.

Mailing Address: Corporate Headquarters
10959 Jersey Blvd.
Rancho Cucamonga, CA 91730-5194
(909) 987-4741

2. This warranty is extended to the original purchaser (consumer) only.
3. This Doughboy warranty prorates the ladder parts cost over a five (5) year period. If any defect in material or workmanship is confirmed by the dealer and/or Doughboy during the first three (3) years from date of purchase, the part or parts will be replaced free of charge. For the next two (2) years, part(s) found to have manufacturing defects will be replaced at a prorated cost equal to the following percentages of the then existing manufacturer's suggested retail parts prices.

The percentages below are paid by the consumer and apply at the beginning of the year listed:

First Year	0%	Fourth Year	60%
Second Year	0%	Fifth Year	70%
Third Year	0%		

4. **This warranty is null and void if the design of this product is altered in any way. Thus, the product must be assembled according to the factory directions and no changes or modifications may be made to any of the parts.**
5. This warranty gives specific legal rights; the purchaser also has implied warranty rights which may vary from state to state.

Terms of sale of our warranty exclude liability for willful carelessness.



Change of Design: Doughboy Recreational expressly reserves the right to change or modify the design and construction of any product in due course of our manufacturing procedures, without incurring any obligation or liability to furnish or install such changes or modifications on products previously or subsequently sold.

"the original portable pool"



DOUGHBOY RECREATIONAL • 10959 Jersey Blvd., • Rancho Cucamonga, CA 91730-5194

DB 197-012

Made in the United States of America

Copyright © 1997