



Ladder - "Built Tough To Last"

Model 1-7117-006 17" A-Frame

Model 1-7119-006 19" A-Frame

Owner's Guide



READ ALL INSTRUCTIONS - Failure to follow these important safety instructions and other basic safety precautions may result in serious personal injury.

IMPORTANT SAFETY INSTRUCTIONS

1. This ladder is to be used as a swimming pool ladder only.
2. The ladder must be installed in accordance with these instructions.
3. Ladder must be located on a solid base and secured to the pool top rail.
4. Maximum weight of persons using ladder is limited to 300 pounds (136 kgs.)
5. One person on the ladder at a time.
6. Face ladder when entering or leaving pool.
7. **DANGER - NO DIVING - NO JUMPING FROM LADDER. DIVING INTO SHALLOW WATER CAN CAUSE QUADRAPELIGIA. SUPERVISE ALL GUESTS AND INVITEES. DO NOT ALLOW ANY TYPE OF DIVING OR JUMPING.**
8. **WARNING - TO PREVENT ENTRAPMENT OR DROWNING, DO NOT SWIM THROUGH, BEHIND OR AROUND LADDER.**
9. Do not sit on top of ladder hand rails.
10. Watch children and pets at all times. They may climb the ladder to gain access into the pool and possibly drown.
11. Do not place or secure any items on or to the ladder, such as: towels, thermometer, floating skimmer, safety ropes or objects that may entangle, trip or injure a swimmer.
12. When ladder is not in use, swing up and latch.
13. **DANGER - ELECTRICAL HAZARD.** Use extreme caution when using an electric drill near water. NEVER use an electric drill when standing in water for ladder installation, use a cordless drill, if possible.
14. Lower steps only when your pool is being supervised by an adult.

TOOLS REQUIRED

- Tape measure
- Drill (cordless type recommended)
- 5/16" Drill bit
- Flat blade shovel
- #2 Phillips head screwdriver
- Two (2) 7/16" wrenches
- Two (2) 9/16" wrenches
- Hacksaw
- Carpenters level
- Marking pen
- Hammer and center punch

MATERIALS REQUIRED

- Four (4) 12" x 12" x 2" patio blocks

CAUTION

The outside steps are very heavy and the swing up and latch feature to secure the pool may not be feasible for certain persons due to their stature or physical capabilities.

If you are not physically capable of lifting the steps to their upright position to secure against unauthorized pool entry, or when the pool is not in use, simply remove the clevis pin from the left and right sides of the steps, and move the steps to a secure area away from the pool.

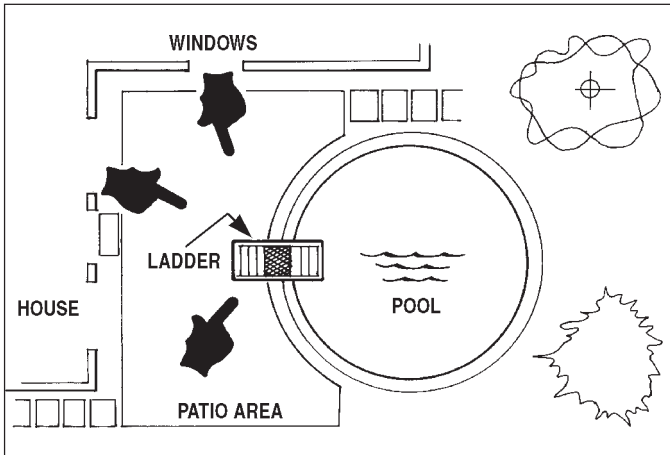


Your new A-Frame, swing-up ladder is built tough to last. The larger, rugged design provides easier access to and from your pool. And, the convenient swing-up feature of the outside ladder steps, with automatic latching, provides security against unauthorized entry of small children and pets without the need for removing the entire ladder.

Before you begin the assembly and installation, make sure no parts are missing. DO NOT assemble the ladder unless all parts are available or ladder failure may result in serious personal injury. Report any missing parts to your dealer for prompt replacement.

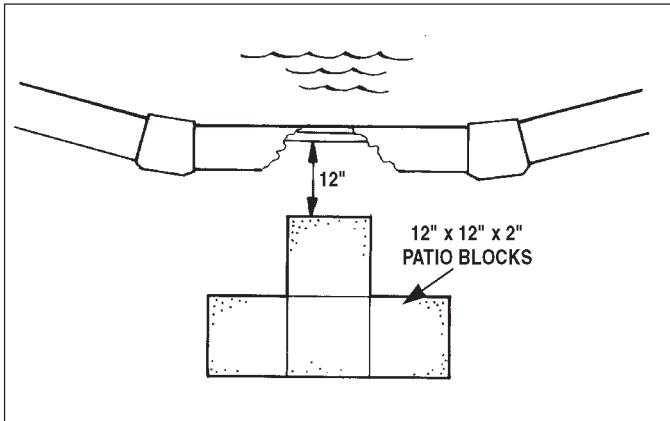
SELECT LADDER LOCATION

Select the ladder installation position on your pool where it can be viewed from all directions.



SITE PREPARATION

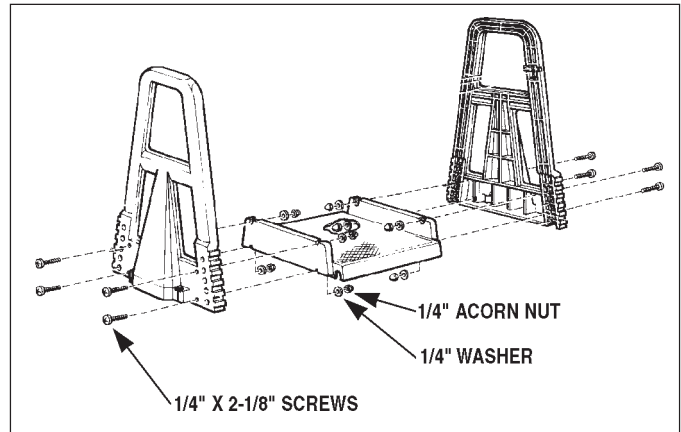
Center the four patio blocks between two side verticals and level with the bottom of the wall frame as shown. Level tops of the patio blocks in all directions.



ASSEMBLY

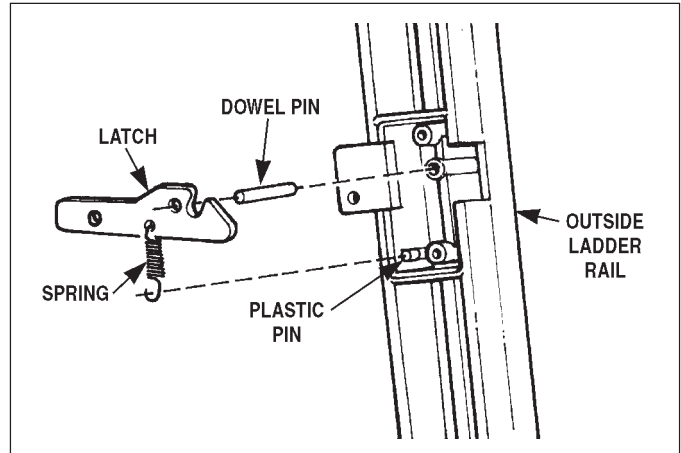
ASSEMBLE HAND RAILS TO PLATFORM

Place the ladder platform on a flat surface with "NO JUMPING - NO DIVING" facing toward you. Assemble the two handrails to the platform using four each of the 1/4" x 2-1/8" long screws, 1/4" washers and acorn nuts per handrail. Tighten securely.

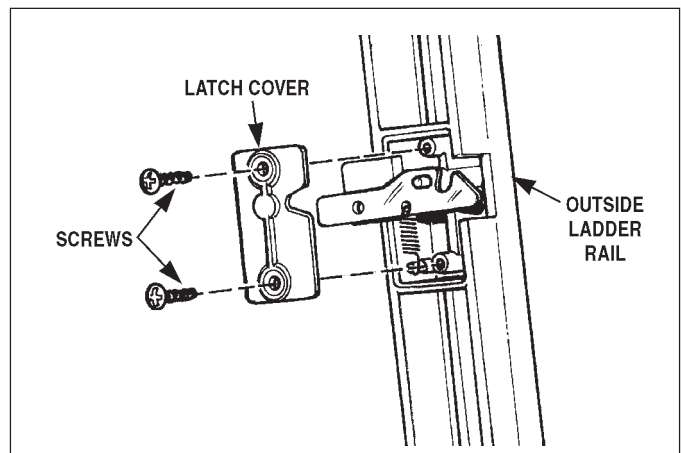


ASSEMBLE LATCH AND COVER

Insert the dowel pin into the handrail on the right side of the platform as shown. Place one end of the spring into the center bottom hole of the latch and the other end over the plastic pin in the handrail. Place the latch onto the dowel pin.

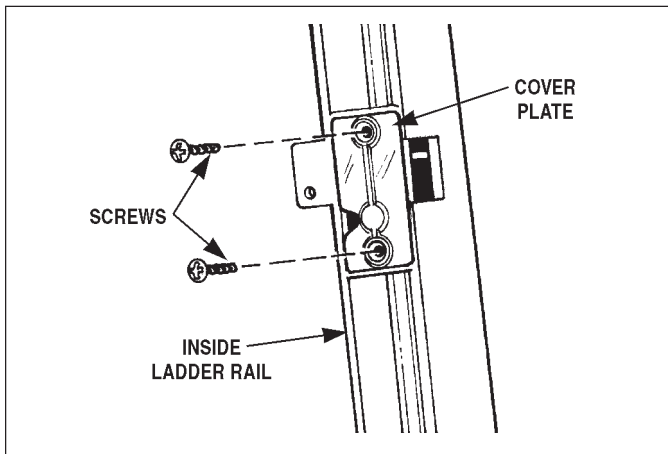


Position the latch cover over the latch assembly and secure it in place using two #10 x 1/2" screws.



INSTALL LATCH COVER ON LEFT RAIL

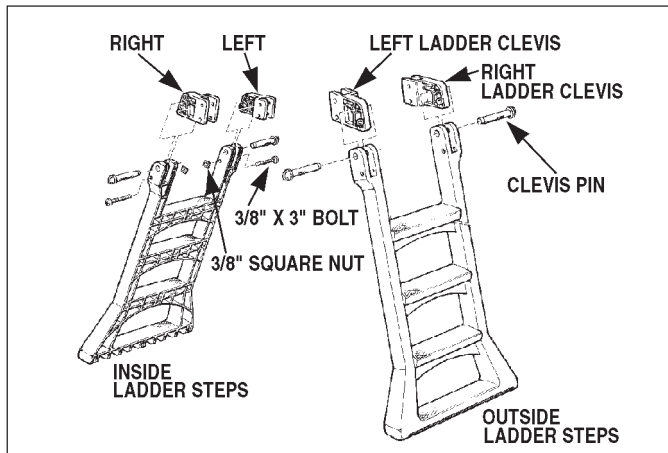
Position the other cover over the opening on the left rail (not used for latch) and secure it in place using two #10 x 1/2" screws.



ASSEMBLE LADDER CLEVIS TO LADDER STEPS

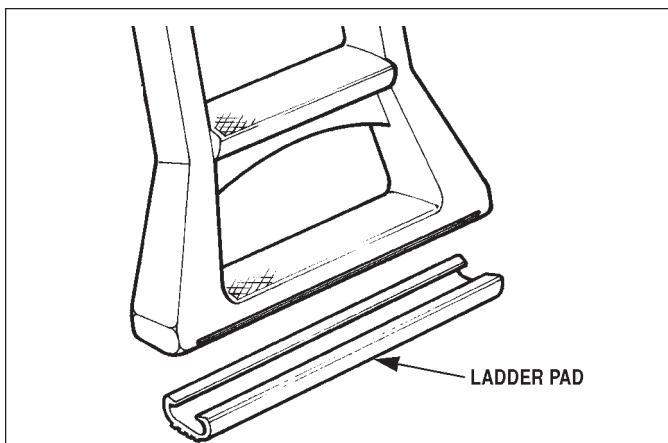
Assemble a clevis-"right" and clevis-"left" to the top of each ladder step as shown and secure them in place with a clevis pin by pushing them through from the outside until they snap into place.

For the **inside ladder steps**, insert 3/8" x 3" screws where shown and loosely assemble the 3/8" square nuts. **DO NOT** tighten the screws and nuts at this time.



ASSEMBLE LADDER PAD TO LADDER STEPS

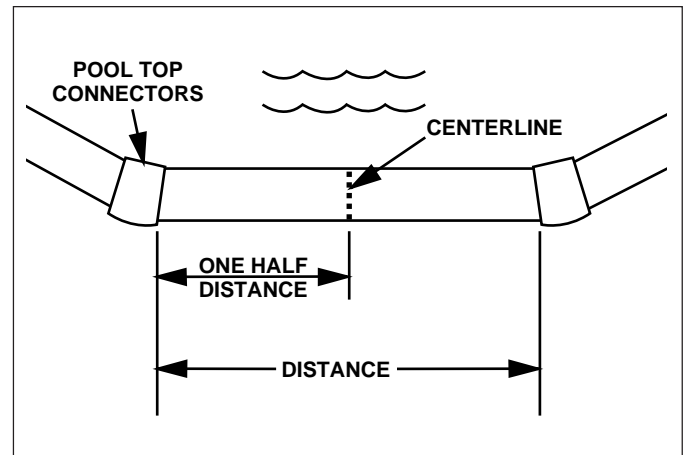
Snap a ladder pad onto the bottom of each ladder step assembly.



INSTALLATION

LOCATE CENTER BETWEEN TOP CONNECTORS

Measure the distance between two pool top connectors at the installation position. Divide by 2 to obtain one half the distance and mark the centerline with a felt pen.

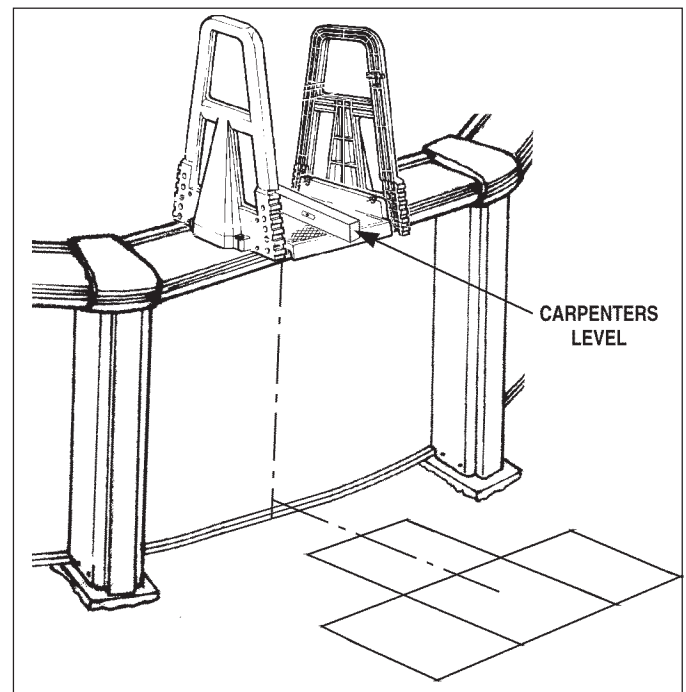


POSITION PLATFORM ON POOL TOP RAIL

Position the platform and handrail assembly on the top rail, centered on the centerline.

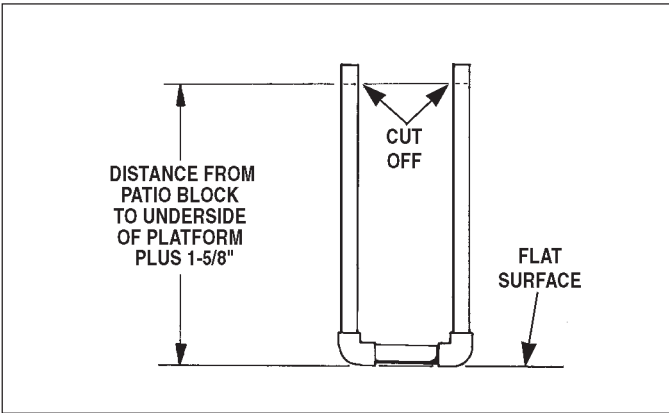
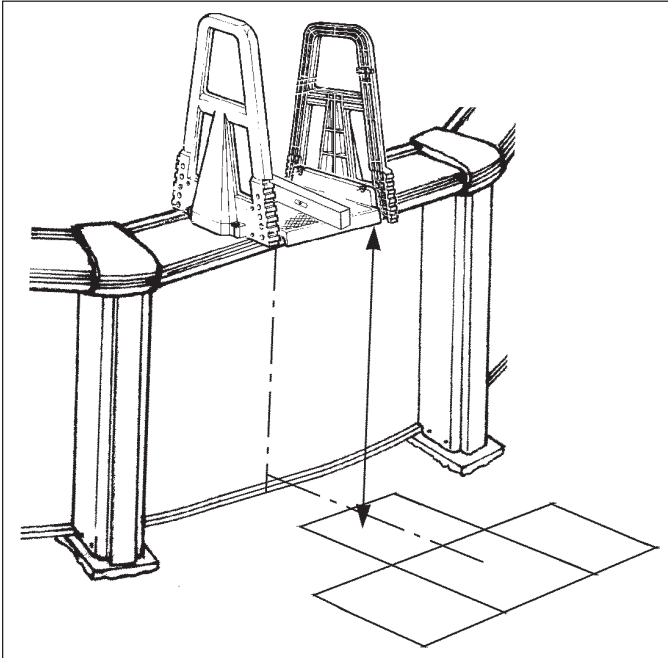
LEVEL PLATFORM

Place a carpenter's level on top of the platform as shown and accurately level the platform.



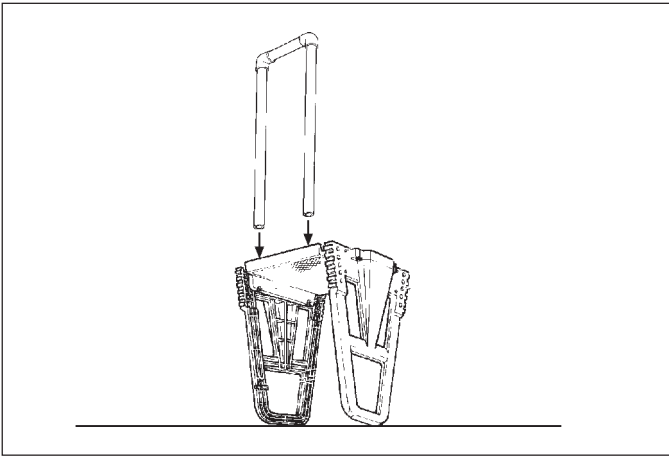
MEASURE FROM BOTTOM OF PLATFORM TO PATIO BLOCKS

While maintaining a level platform, measure from top of patio block to underside of platform with a measuring tape. Record this dimension for later use. Remove platform and handrail assembly and set aside.



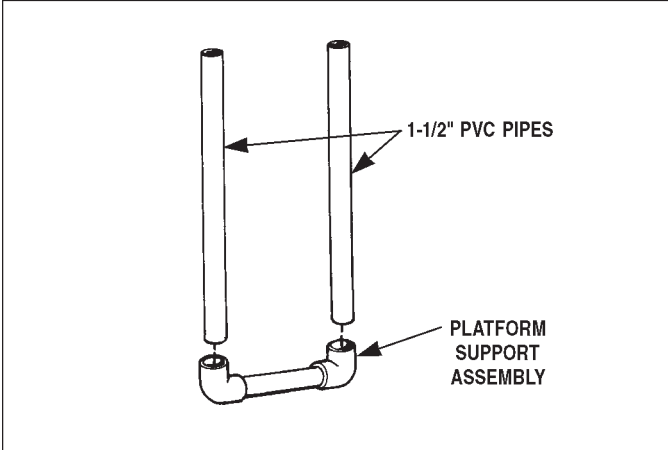
INSTALL PLATFORM SUPPORT INTO PLATFORM

Turn platform and handrail assembly upside down and push pipe ends into sockets as shown until fully seated.



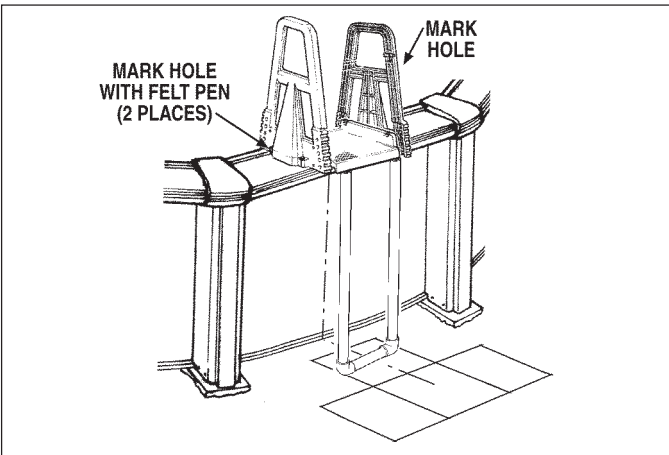
ASSEMBLE PLATFORM SUPPORT

Insert the two 1-1/2" PVC pipes into the platform support assembly as shown, pushing pipes into sockets until fully seated.



REPOSITION PLATFORM ON TOP RAIL AND MARK MOUNTING HOLES

Reposition the platform assembly, centered on the pool top rail with the platform support resting on the patio block closest to the pool. Adjust the platform until the mounting holes as shown are 3/4" back from inside edge of top rail and mark the hole locations with a felt pen. (For pools with top rails 6" wide and narrower, refer to next step.)

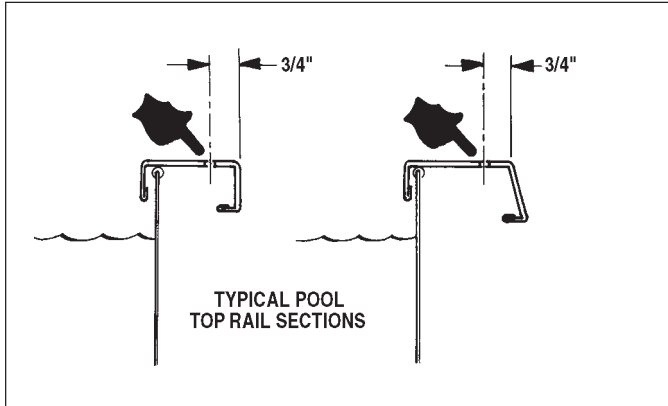


CUT PLATFORM SUPPORT TUBES

With the recorded dimension from the top of the patio block to the underside of platform, add 1-5/8". Position the support assembly on a flat surface as shown and measure the total dimension up each pipe and mark with a felt pen. Then, cut off the extra pipe with a hacksaw at the marks, making sure of a square cut.

MOUNTING LADDER ON 6" WIDE POOL TOP RAILS AND NARROWER

For pools with top rails 6" wide and narrower, shift the platform until the mounting hole positions are 3/4" in from starting edge of a flat surface as shown.



DRILL HOLES IN TOP RAIL

⚠ DANGER ELECTRICAL HAZARD

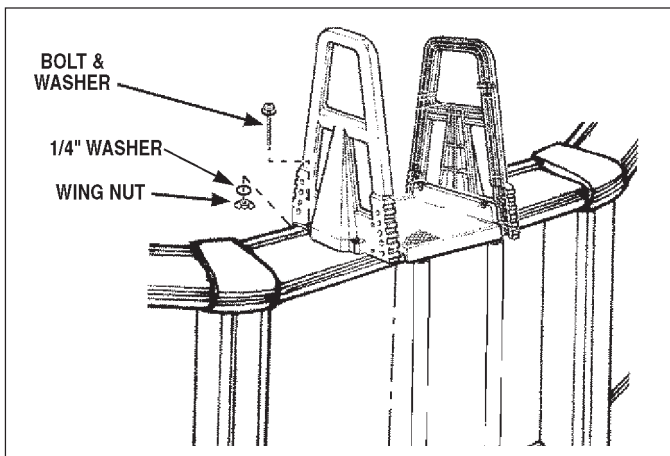
Use extreme caution when using an electric drill near water. **NEVER** use an electric drill when standing in water. For ladder installation, use a cordless drill, if possible.

CAUTION: When drilling the mounting holes in the pool top rail, drill chips may fall into pool. Position a piece of cardboard under drilling positions to catch the chips.

Center punch the hole positions and use a 5/16" drill bit to drill mounting holes. Shift platform to one side, then the other side when drilling holes.

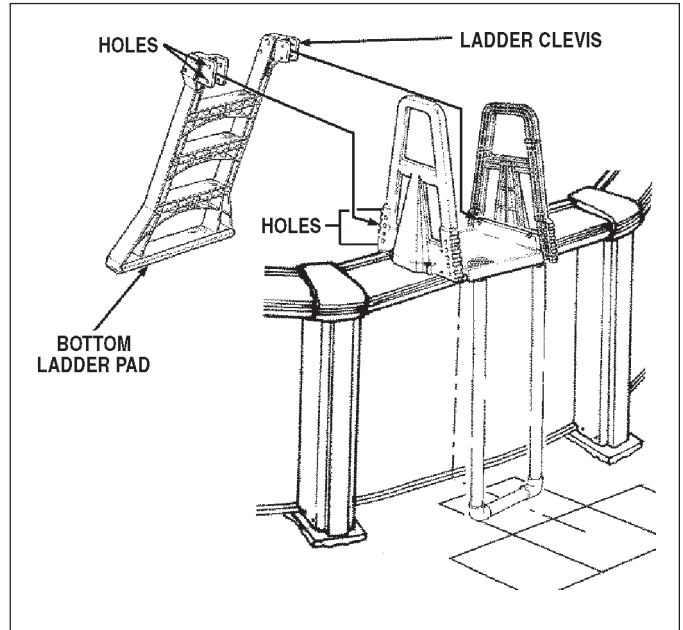
SECURE PLATFORM TO TOP RAIL

Align platform mounting holes over the drilled mounting holes. Slip a 1/4" washer on both 1/4" x 4" screws and insert them from top and secure with 1/4" washers and 1/4" wing nuts.



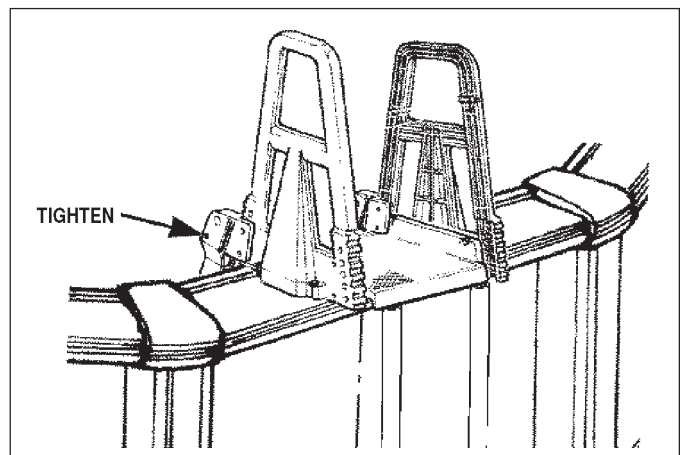
INSTALL LADDER STEPS (INSIDE POOL)

Place the "inside pool" ladder steps inside pool with bottom ladder pad touching pool floor. Align two of the ladder clevis holes with two of the holes in the hand rail and loosely assemble with 3/8" x 2-3/4" screws, washers and acorn nuts.



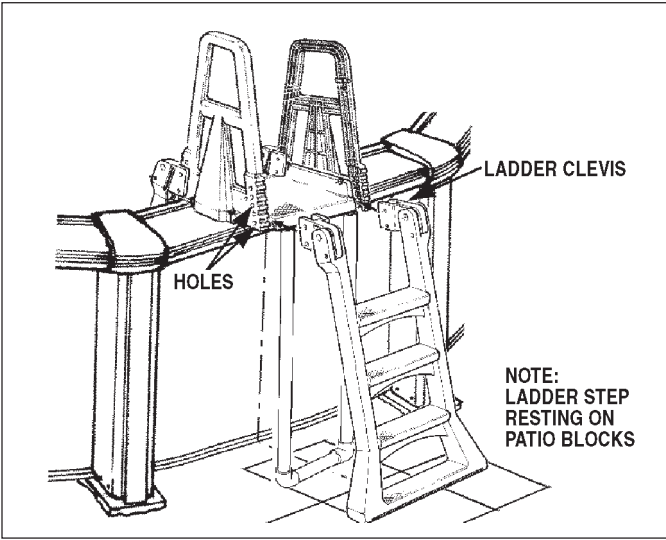
SECURE INSIDE POOL STEPS

Make final adjustment to insure that the ladder steps are firmly positioned on pool floor, then tighten the two screws and square nuts on the ladder step and clevis assembly.



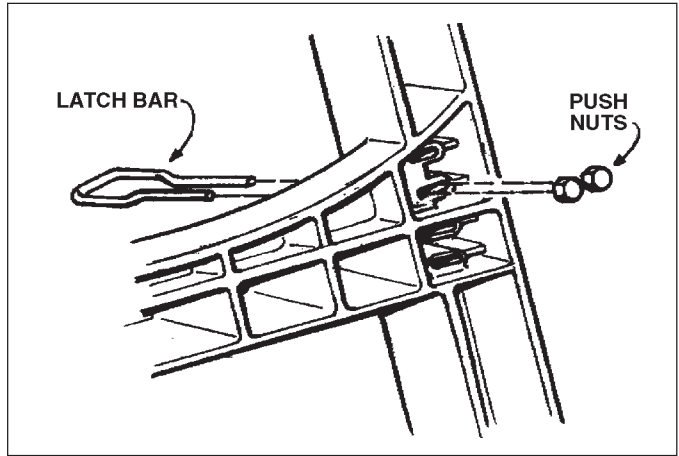
INSTALL LADDER STEPS (OUTSIDE POOL)

Position the "outside pool" ladder steps against the handrails, aligning two ladder clevis holes with two of the holes in the handrail mounting area at each side and loosely assemble with 3/8" x 2-3/4" screws, washers and acorn nuts.



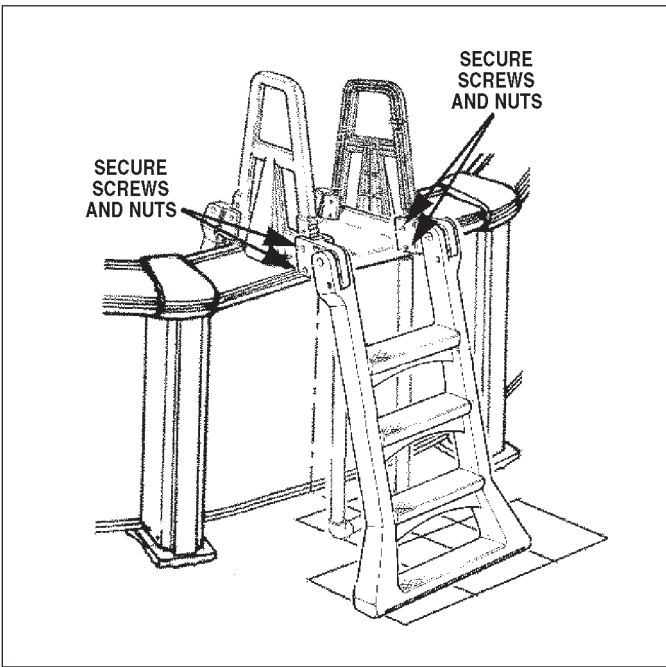
INSTALL LATCH BAR

Swing the outside ladder step to an upright position and place the latch bar through the proper set of holes in the right side of the step to ensure the correct engagement with the latch located on the handrail. When the correct adjustment has been made, secure the latch bar to the ladder step with two 3/16" push nuts.

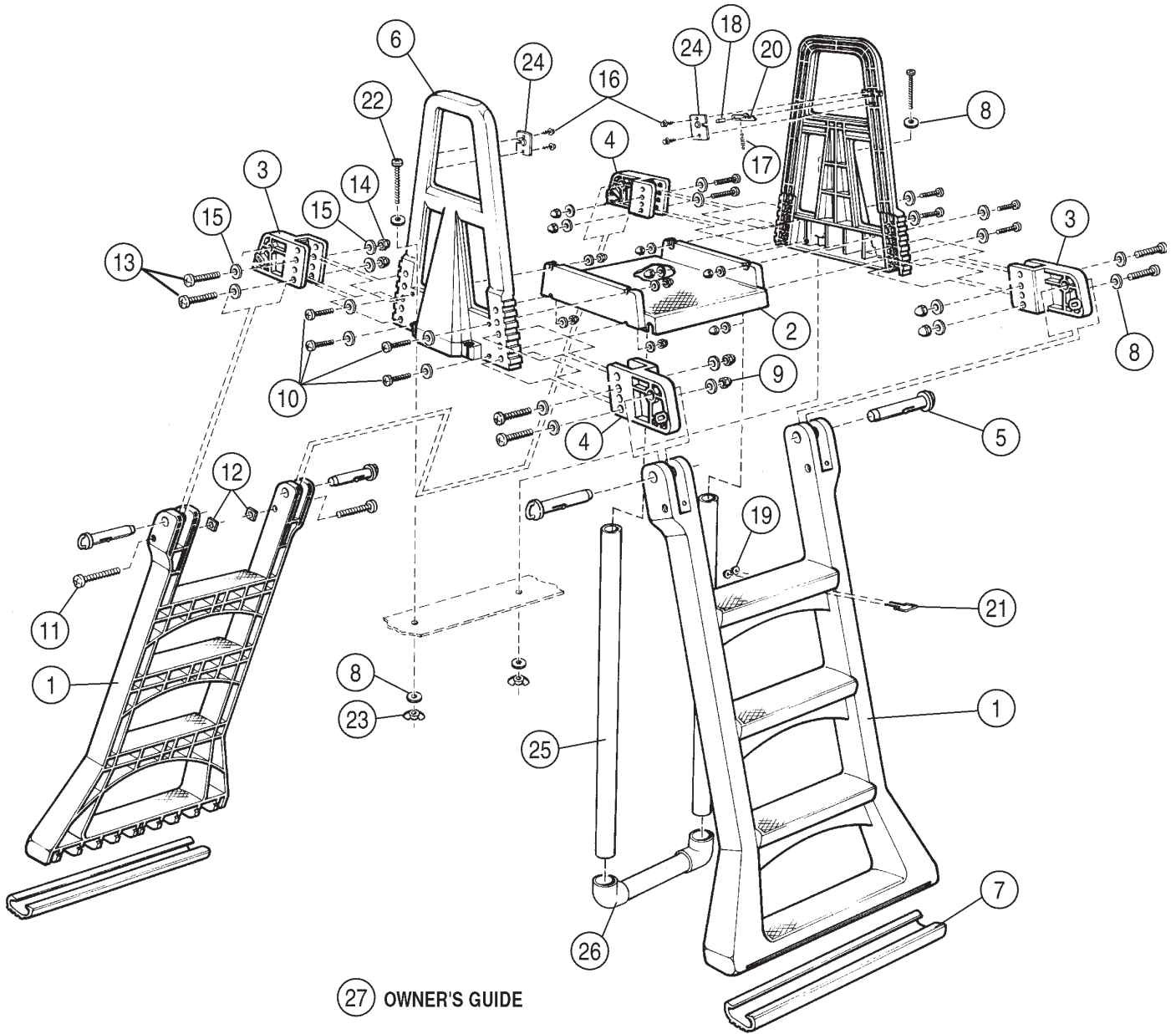


SECURE OUTSIDE POOL STEPS

Secure the 3/8" x 2-3/4" screws and nuts firmly.



**EXPLODED VIEW
MODELS 1-7117-006 AND 1-7119-006**



PARTS LIST
MODELS 1-7117-006 AND 1-7119-006

ITEM	MODEL # 1-7117-000 PART #	MODEL # 1-7119-006 PART #	QTY	DESCRIPTION
1	340-1899	340-1900	2	Ladder Steps
2	340-1945	340-1903	1	Platform
3	340-1937	340-1937	2	Ladder Clevis - Right
4	340-1939	340-1939	2	Ladder Clevis - Left
5	340-1908	340-1908	4	Clevis Pin
6	5188-0056	5188-0056	2	Handrail & Decal Assembly
7	341-1268	341-1269	2	Ladder Pad
8	327-1051	327-1051	20	1/4" I.D. x 3/4" O.D. Washer
9	321-1073	321-1073	8	1/4-20 Acorn Nut
10	330-1225	330-1225	8	1/4-20 x 2-1/8" Phillips Pan Head Screw
11	330-1226	330-1226	2	3/8-16 x 3" Phillips Pan Head Screw
12	321-1074	321-1074	2	3/8-16 Square Nut
13	330-1227	330-1227	8	3/8-16 x 2-3/4" Phillips Pan Head Screw
14	321-1075	321-1075	8	3/8-16 Acorn Nut
15	327-1003	327-1003	16	3/8" Flat Washer
16	330-1228	330-1228	4	10 x 1/2" Oval Head Tapping Screw
17	396-1021	396-1021	1	Spring
18	332-1127	332-1127	1	3/16" x 7/8" Dowel Pin
19	332-1128	332-1128	2	3/16" Push Nut
20	580-1809	580-1809	1	Latch
21	385-1335	385-1335	1	Latch Bar
22	330-1229	330-1229	2	1/4-20 x 4" Phillips Pan Head Screw
23	321-1076	321-1076	2	1/4-20 Wing Nut
24	340-1909	340-1909	2	Latch Cover
25	341-1328	341-1328	2	1-1/2" PVC Pipe
26	1107-1523	1107-1523	1	Platform Support Assembly
27	573-2890	573-2890	1	Owner's Guide



FIVE YEAR PRORATED LIMITED WARRANTY

IMPORTANT: Failure to follow safety instructions or misuse of this ladder may result in crippling injury and/or other dangers to life and health. It is your responsibility to secure your pool against unauthorized, unsupervised, or unintentional entry. Always obey all safety rules. Remember, pool safety is everybody's responsibility.

TERMS AND CONDITIONS

Retain this warranty along with your sales receipt and/or proof of purchase.

1. Lomart is the warrantor of this product.

Mailing Address: 10959 Jersey Blvd.
Rancho Cucamonga, CA 91730
(909) 987-4741

2. This warranty is extended to the original purchaser (consumer) only.
3. This Lomart warranty prorates the ladder parts cost over a five (5) year period. If any defect in material or workmanship is confirmed by the dealer and/or Lomart during the first three (3) years from date of purchase, the part or parts will be replaced free of charge. For the next two (2) years, part(s) found to have manufacturing defects will be replaced at a prorated cost equal to the following percentages of the then existing manufacturer's suggested retail parts prices.

The percentages below are paid by the consumer and apply at the beginning of the year listed:

First Year	0%	Fourth Year	60%
Second Year	0%	Fifth Year	70%
Third Year	0%		

4. **This warranty is null and void if the design of this product is altered in any way. Thus, the product must be assembled according to the factory directions and no changes or modifications may be made to any of the parts.**
5. This warranty gives specific legal rights; the purchaser also has implied warranty rights which may vary from state to state.

Terms of sale of our warranty exclude liability for willful carelessness.



Change of Design: Lomart Industries expressly reserves the right to change or modify the design and construction of any product in due course of our manufacturing procedures, without incurring any obligation or liability to furnish or install such changes or modifications on products previously or subsequently sold.

Lomart
10959 Jersey Blvd.
Rancho Cucamonga, CA 91730