



# Cruiser

Automatic Pool Vacuum Cleaner

Model 0-2030-000

Patent No. 5,794,293

---

## Owner's Guide



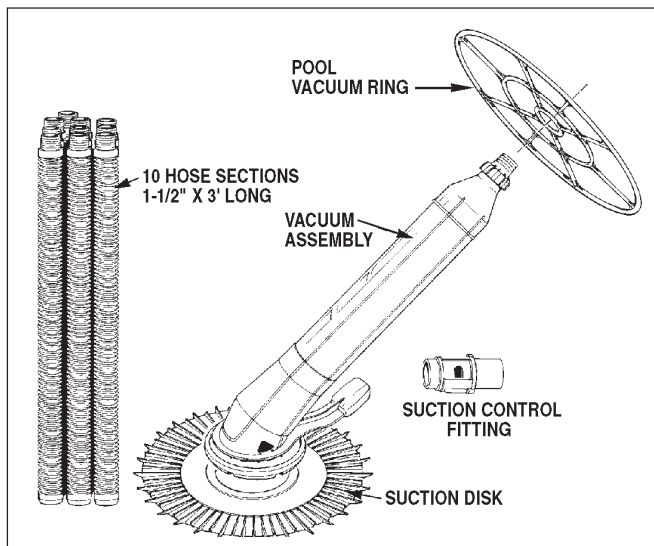
## PREPARATIONS

- Clean pool, removing any debris.
- Backwash filter or clean filter element.
- Clean out all strainer baskets.
- Adjust return inlet flow direction downward at approximately 45°

## CAUTIONS

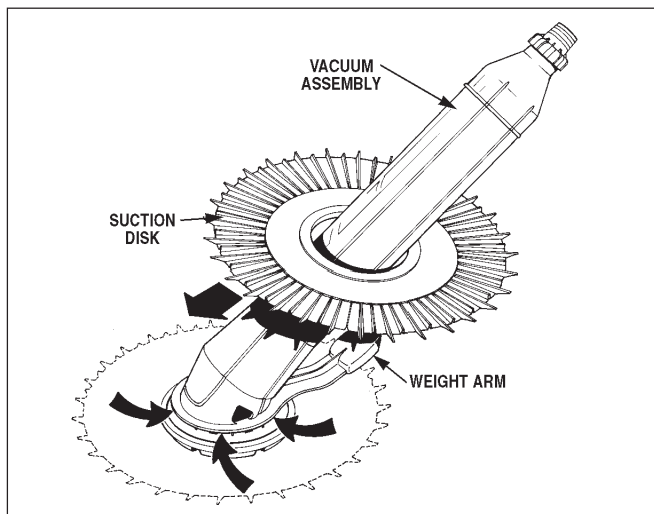
1. Remove the Cruiser from the pool prior to super chlorinating the water and do not re-install it for a minimum of four hours.
2. Do not operate the vacuum cleaner if excessive amounts of debris or large leaf clusters are in pool.
3. Do not allow swimmers in the pool while the vacuum cleaner is operating.
4. Empty skimmer and pump strainer baskets when required.
5. Keep hose sections straight when cleaner is out of pool.

## COMPONENTS



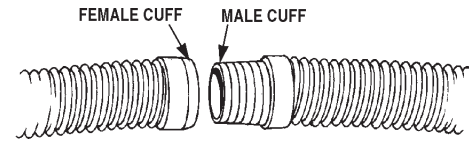
## ASSEMBLY

With smooth side of suction disk facing downward, slip over top of vacuum assembly, stretching over weight arm and into slot indicated by arrows.



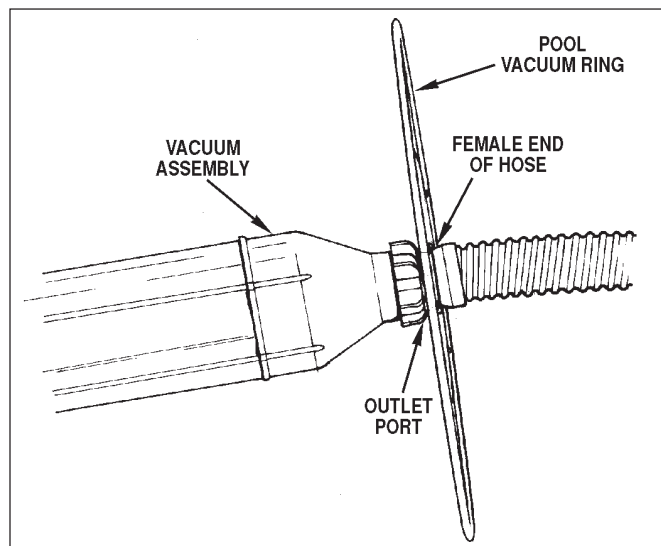
## VACUUM HOSE

Join hose sections by inserting male cuff of one hose into the female cuff of another. Hose length should be pool length or diameter.



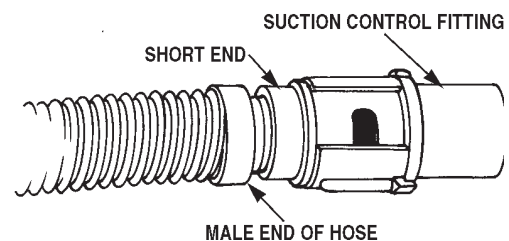
## CONNECT HOSE TO CRUISER

Place pool vacuum ring onto end of Cruiser vacuum assembly. Then, push female cuff end of hose onto Cruiser vacuum outlet port. Place vacuum into pool.



## INSTALL SUCTION CONTROL FITTING

Insert the male cuff end of hose into the "short end" of the suction control fitting.



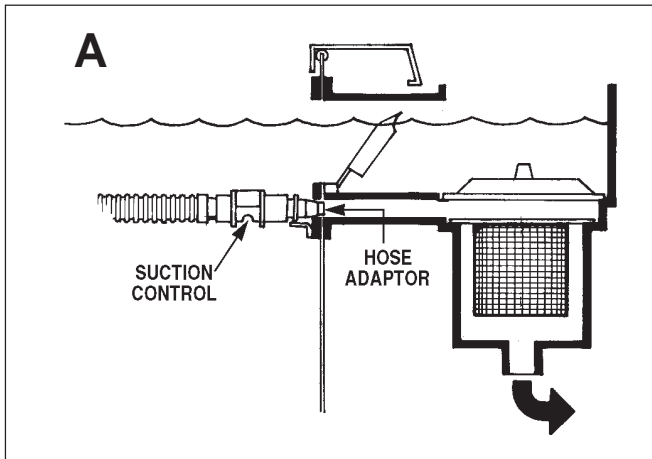
The following four illustrations show different methods for connecting a vacuum hose depending on your type of pool, skimmer or suction port. Select the one similar to your pool and suction port. A universal adaptor is provided for use as shown in illustrations B and D. For illustration 'C', purchase an elbow adaptor from your pool dealer to fit your suction port that will insert into the 1-1/2" round end opening of the suction control fitting. NOTE: Suction control fitting must install below pool water level. Connect adaptor to the suction control fitting.

**EXPULSION OF AIR FROM HOSE AND CONNECTION TO VACUUM OUTLET**

With pump running, position end of hose against pool return outlet to blow out any air in the hose. While holding end of hose below pool water level, attach to your pool or skimmer suction port.

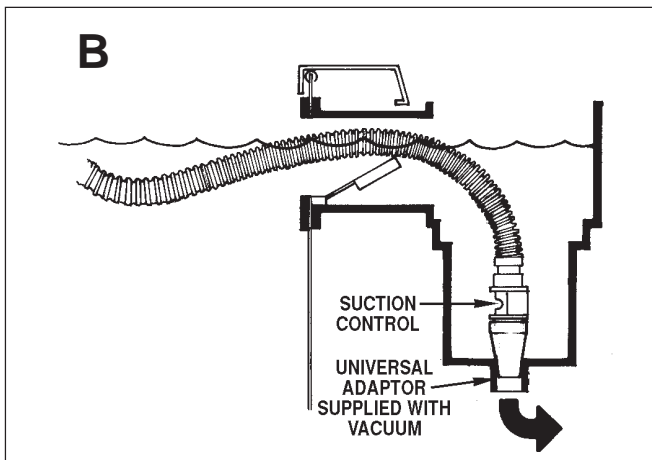
**SKIMMER VACUUM PORT**

This skimmer provides a vacuum port in the skimmer face frame below the skimmer opening. (Hose adaptor is provided with skimmer).



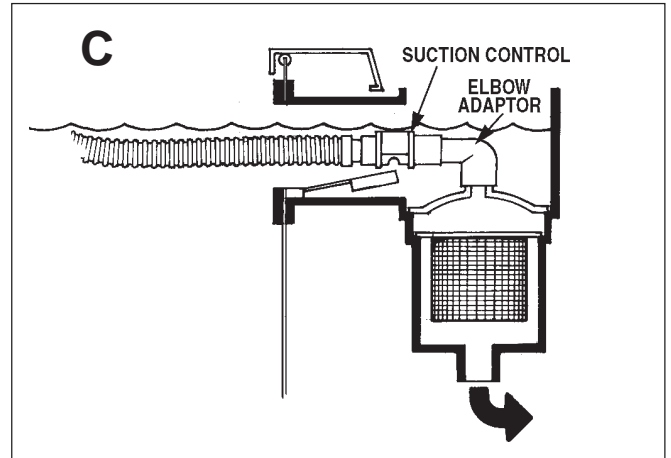
**INSIDE SKIMMER OUTLET**

This skimmer provides either a threaded or slip socket connection inside the skimmer at the bottom. Push larger end of universal adaptor onto the suction control fitting. Then, insert into the bottom outlet inside the skimmer.



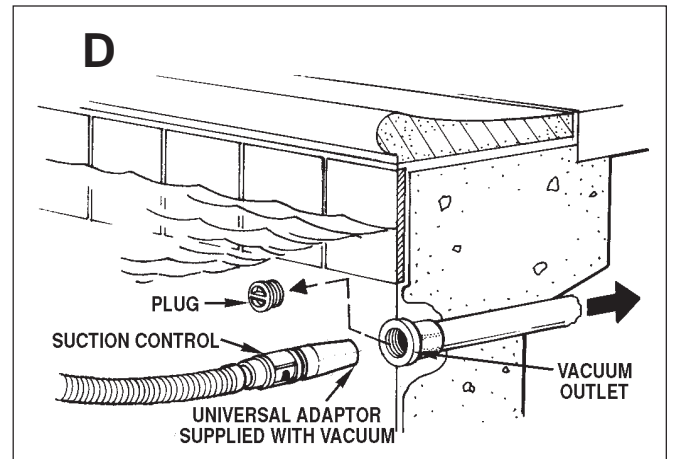
**SKIMMER VACUUM PLATE**

This skimmer is provided with a vacuum plate with a suction hose port in the center for attaching your vacuum hose. Insert the elbow adaptor (not provided) into the suction control fitting, then onto the vacuum plate outlet.



**VACUUM OUTLET (IN-GROUND POOL)**

If your pool is provided with a vacuum port outlet in the pool wall, connect the hose to this port as follows. Push larger end of universal adaptor onto the suction control fitting. Then, insert into the wall vacuum outlet.



**OPERATION**

With the filter pump operating, you may or may not notice a pulsating vibration of your Cruiser pool vacuum. Its operation depends on the amount of water flow produced by your pump and the fine tuning adjustment of the suction control fitting.

**ADJUST SUCTION CONTROL SLIDE**

Your Cruiser vacuum cleaner will produce a pulsating vibration as it moves slowly forward, vacuuming your pool. To increase or decrease speed, rotate the suction control slide in either direction using the "trial and error" method. You may have to stop and restart the filter pump to initiate the pulsating action for operation.

### CHECK FILTER FLOW

As your Cruiser removes sediments from the pool floor, your filter will work harder collecting the sediments. You may notice your Cruiser operating slower than normal and a reduction of flow from the return inlet as your filter collects more sediments. Keep a check on your filter and backwash or clean element when required.

### SERVICING

Your Cruiser may become inoperable for several reasons. Check the "Troubleshooting" chart to determine the cause and remedy. If your Cruiser becomes

clogged with debris, shut off pump. Lift the Cruiser out of the pool and examine the underside intake. Pull the debris out and refer back to "Expel Air from Hose" and restart the operation.

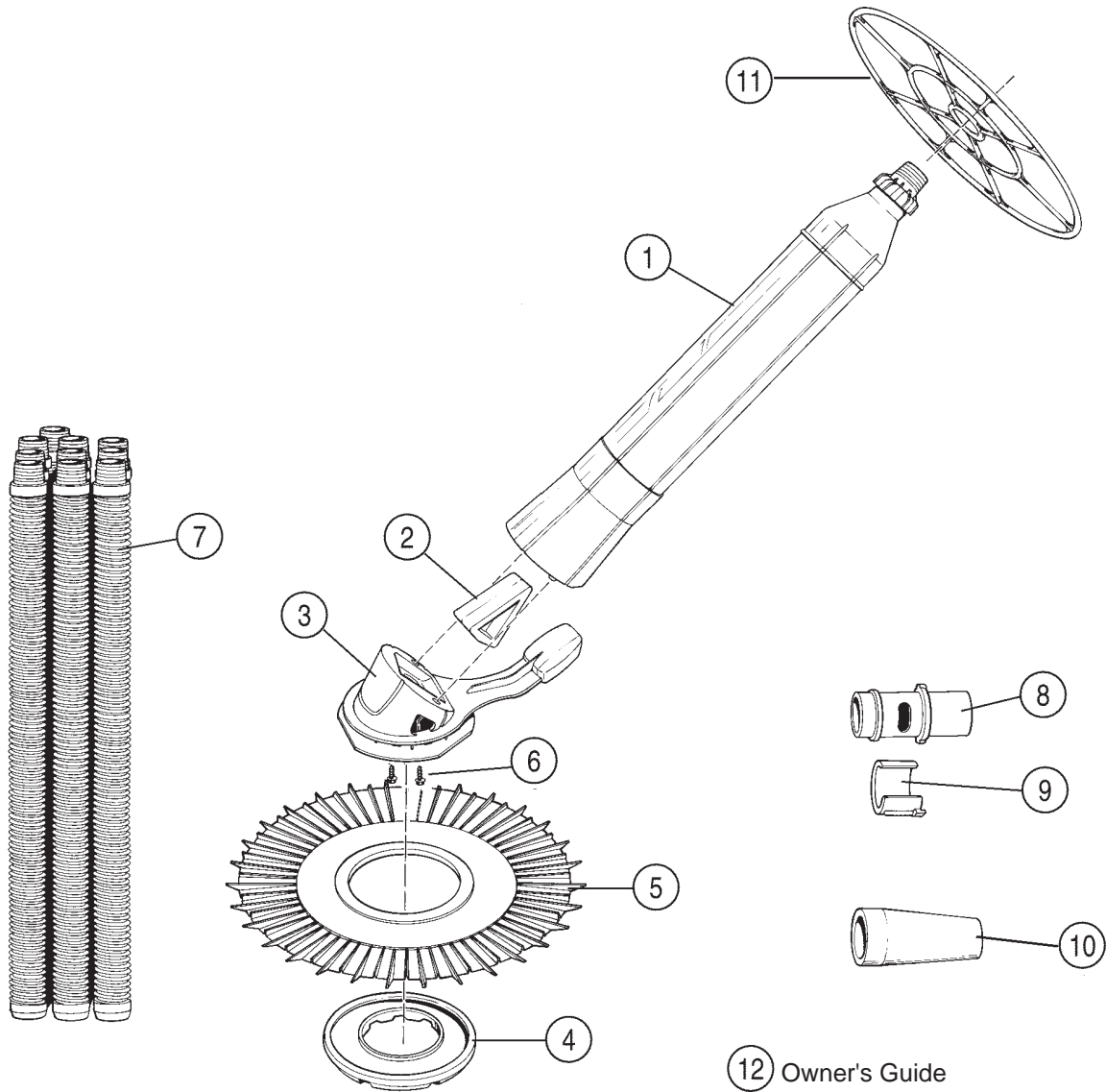
### WINTER STORAGE

Remove your Cruiser from the pool and dry completely. Disassemble the hose sections and store in the original box. **Never store your hose in a coiled position as it will take a set in that position, not allowing your Cruiser to operate.** Remove the suction disk and store in a flat position. Store all parts indoors.

## TROUBLESHOOTING CRUISER POOL VACUUM CLEANER

PROBLEM	POSSIBLE CAUSE	REMEDIES
1. Cruiser moves too slow or not moving at all.	<ul style="list-style-type: none"> <li>1 - Cruiser intake clogged with debris.</li> <li>2 - Suction control slide open too much.</li> <li>3 - Filter is dirty.</li> <li>4 - Skimmer or pump strainer baskets are clogged with debris.</li> <li>5 - Crack in hose.</li> <li>6 - Clogged pump impellor.</li> <li>7 - Excessive debris on pool floor.</li> <li>8 - Insufficient pump flow due to obstruction.</li> <li>9 - Air leak at skimmer face plate causing water to drain from skimmer body.</li> </ul>	<ul style="list-style-type: none"> <li>1 - Remove debris.</li> <li>2 - Close down suction control slide.</li> <li>3 - Clean filter element or backwash filter.</li> <li>4 - Empty baskets.</li> <li>5 - Replace hose section.</li> <li>6 - Remove debris.</li> <li>7 - Manually remove debris from floor.</li> <li>8 - Remove obstruction.</li> <li>9 - Tighten skimmer face plate screws or replace face plate gaskets.</li> </ul>
2. Cruiser moves too fast.	<ul style="list-style-type: none"> <li>1 - Suction control slide closed too much.</li> <li>2 - Excessive pump flow.</li> </ul>	<ul style="list-style-type: none"> <li>1 - Open up suction control slide.</li> <li>2 - Restrict flow.</li> </ul>
3. Cruiser cleans one end of pool. Won't clean entire pool.	<ul style="list-style-type: none"> <li>1 - Insufficient number of hose sections.</li> <li>2 - Pool water too cold. Causes hose to stiffen.</li> </ul>	<ul style="list-style-type: none"> <li>1 - Add more hose.</li> <li>2 - Pool water should be a minimum 60°F. Increase flow by closing suction control slide. Remove from pool and store for winter.</li> </ul>
4. Cruiser turns over.	<ul style="list-style-type: none"> <li>1 - Excessive flow currents in pool.</li> <li>2 - Contacting an obstruction in pool.</li> <li>3 - Hose too long.</li> <li>4 - Swivel jammed with debris.</li> </ul>	<ul style="list-style-type: none"> <li>1 - Adjust return fitting flow downward.</li> <li>2 - Remove obstruction.</li> <li>3 - Remove hose one section at a time.</li> <li>4 - Rotate until swivel moves freely.</li> </ul>

**EXPLODED VIEW  
CRUISER POOL VACUUM CLEANER**



**PARTS LIST**

ITEM	PART #	QTY	DESCRIPTION
1	1121-1548	1	Vacuum Body Assembly
2	340-2062	1	Driver
3	1121-1499	1	Vacuum Head Assembly
4	348-1046	1	Suction Pad
5	340-2065	1	Suction Disk
6	330-1253	2	#8 x 3/4" Screws
7	346-1051	10	1-1/2" x 3' Hose
8	340-2091	1	Suction Control Fitting
9	340-2092	1	Suction Control Slide
10	340-2108	1	Universal Adaptor
11	340-2112	1	Pool Vacuum Ring
12	365-1737	1	Owner's Guide

"the original portable pool"

**doughboy®**

## Automatic Pool Vacuum Cleaner

# FIVE YEAR LIMITED WARRANTY

### TERMS AND CONDITIONS

Retain this warranty along with your sales receipt and/or proof of purchase.

1. Doughboy is the warrantor of this product.
2. This warranty is extended to the original purchaser (consumer) only.
3. Doughboy warrants the automatic pool vacuum cleaner (excluding hose) for a period of five (5) years from date of purchase against all defects in materials and workmanship.
4. The vacuum hose is warranted for a period of two (2) years from date of purchase against all defects in materials and workmanship. To exercise the warranty the consumer must:
  1. Carefully package the unit (or hose).
  2. Include a brief description of the problem.
  3. Include a return address label (no post office box number).
  4. Include a copy of proof of purchase (sales receipt).
  5. Ship prepaid via U.P.S. to: Doughboy Recreational  
315 North Sebastian  
West Helena, AR 72390  
Attention: Customer Service Department

The unit (hose) will be repaired or replaced and promptly returned freight prepaid.

5. **This warranty is null and void if the design of this product is altered in any way. Thus, the product must be assembled according to the factory directions and no changes or modifications may be made to any of the parts.**
6. Damage from chemical misuse or ice damage is not covered under warranty.
7. This warranty gives specific legal rights; the purchaser also has implied warranty rights which may vary from state to state.

Terms of sale of our warranty exclude liability for willful carelessness.

For repairs on the automatic vacuum cleaner unit not covered by the warranty or past the warranty period follow the warranty procedure for returning the unit and include a check or money order in the amount of fifteen dollars payable to Doughboy Recreational. Units will be returned freight prepaid.



**Change of Design:** Doughboy Recreational expressly reserves the right to change or modify the design and construction of any product in due course of our manufacturing procedures, without incurring any obligation or liability to furnish or install such changes or modifications on products previously or subsequently sold.

"the original portable pool"

**doughboy®**

**DOUGHBOY RECREATIONAL • 10959 Jersey Blvd. • Rancho Cucamonga, CA 91730**

**Visit our website at [www.doughboy-pools.com](http://www.doughboy-pools.com)**