



Skim-Line™

Deluxe Thru-Wall Skimmer

Models 0-2094-003 / 0-2094-005

Owner's Guide

Your new Doughboy Thru-Wall Skimmer makes pool maintenance easier and more convenient. Leaves, insects and floating debris are pulled from the pool into the skimmer basket. Clean the basket regularly to help your pool stay sparkling clean and sanitary. The numbers in parentheses (00) refer to key numbers in the illustration on page 5.

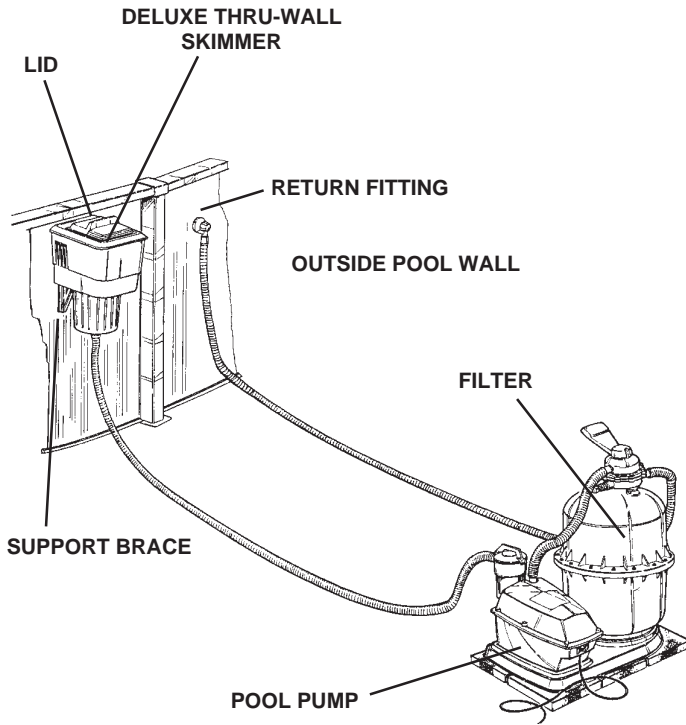


FIG. 1

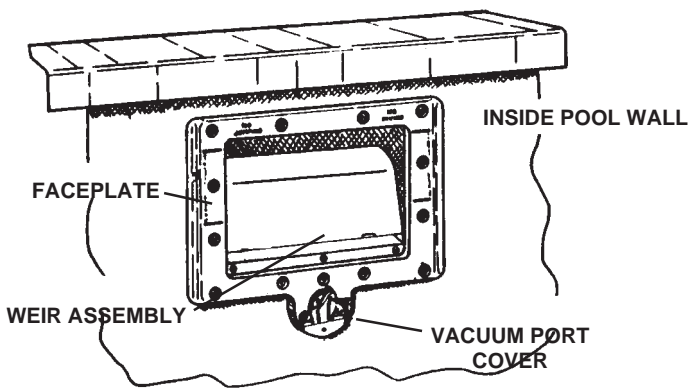


FIG. 2

POOL PREPARATION

The pool must be properly erected per Doughboy's Pool Assembly & Installation Instructions. There should be approximately 2' of water up the metal wall so the liner is under weight and stretched to proper position prior to installing skimmer. NOTE: The liner cannot be shifted after the skimmer entry holes have been cut.

SKIMMER INSTALLATION

1. Remove all components from carton. Remove lid from skimmer by sliding forward and lifting. Remove basket and hardware package from skimmer.
2. Attach weir assembly to skimmer using three screws. Push weir inside so that the foam side is down.
3. If you are installing onto a Doughboy Classic 8-1/2" or an Impressions pool, you will need to use a Doughboy Skimmer Extension (Model # 0-2351-001 or 0-2351-002) with this skimmer. The instructions provided with the extension will replace steps 4 & 5 of this owner's guide. Refer to those instructions at this time to proceed with installation. When you have finished that portion of the assembly, return to step 7 in this owner's guide to complete skimmer and return fitting installation.
4. Reach over the top rail and carefully press the liner against the skimmer cutout in the wall. Punch out the two top corner holes using a nail. Place one skimmer gasket (21) on faceplate (20). Insert two large self-threading screws (19) into top corner holes. With these screws protruding through the top corner holes of the gasket (21), carefully push the screws through the holes which have been pierced in the liner. Place the second gasket (21) on the exposed screw threads outside the pool wall. From the outside of the pool, align the skimmer with these screws. Lightly tighten the two screws (Fig. 3).

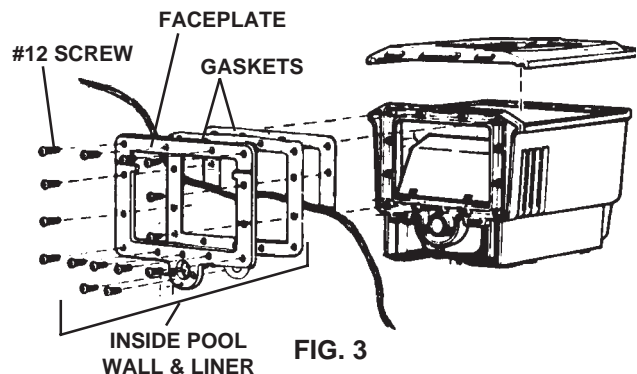


FIG. 3

5. Position both the inside and outside gaskets so the flanges of the filter and the faceplate are in contact with the gasket. Using a nail and the faceplate as a guide, pierce the 13 additional holes in the liner. Insert and lightly tighten the remaining 13 screws (19) through the faceplate, gasket, liner, pool wall, gasket and into corresponding holes on the skimmer. Firmly tighten

Tools You Will Need

Large Nail (App. 2" Long)	Flat Head Screwdriver
Phillips Screwdriver	Razor Knife

all screws evenly, alternating left and right, top and bottom.

6. **Using a razor knife, trim the liner.**
Use the faceplate (20) as a guide to trim only the liner, being careful not to cut the gasket, in the large skimmer opening, and the vacuum adaptor opening. (Fig 4)
7. Attach vacuum port cover (15) and retainer (16) to faceplate using screw (17).

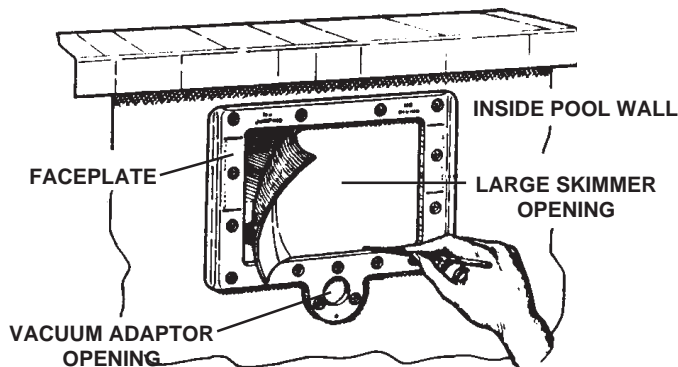


FIG. 4

RETURN FITTING INSTALLATION

1. Locate a board large enough to cover return fitting cutout. From inside of pool, use the board to hold liner against cutout in pool wall. Keep hands away from hole to avoid injury. From outside of pool, use the cutout as a guide and cut away liner with a razor knife.
2. Slip a gasket (12) over the threads of the return fitting adaptor (11), and push threaded end through the wall from inside pool. Place the second gasket over the threads now exposed outside the pool.
3. Hold the return fitting body (13) so the hose fitting end points straight up while turning the adaptor from inside the pool. When the adaptor just begins to crush the gaskets, hold the adaptor from turning while rotating the body clockwise to its straight down position.
4. If the assembly does not feel snug, rotate the return fitting body back to the up position. Rotate the adaptor inside pool an additional 1/4 turn, then rotate the body to the down position again. Repeat this procedure as required.
5. Install eyeball insert (14) into eyeball (9). Hold the eyeball inside the adaptor (11) with insert toward inside. Thread on the return fitting cover (8) to secure eyeball position so it directs flow away from skimmer opening. Do not overtighten.

CONNECTING SKIMMER TO FILTER

Install the filter and pump as far from the pool wall as possible so they may not be used as steps by children. Instructions in your Filter Owner's Guide will tell you how to connect the skimmer to the filtering system. Follow those instructions carefully. When you have completed them, refer to Doughboy's Pool Assembly & Installation Instructions to fill pool. The correct water level will be

midway between the two water level marks on the skimmer face-plate. Inspect skimmer installation for leaks when pool is filled. On-going leaks from skimmer or wall fittings may cause pool wall damage which eventually may result in pool wall failure.

CAUTION: Always keep the water level in your pool between the water level markers on the skimmer faceplate. The pump must be able to draw water from the pool to operate. Never run the pump with the pool water level so low that no water passes to the pump. This may cause the pump seal to overheat and permanent damage may occur.

ROUTINE CARE & MAINTENANCE KEEP YOUR POOL SPARKLING

You can take steps to reduce the amount of maintenance needed to keep your pool sparkling.

1. Provide a clean walkway leading to your pool entrance.
2. Rinse off patio and area around pool regularly.
3. Bathers should rinse off (especially their feet) before entering pool.
4. Maintain the proper chemical balance in your pool. Hot days will cause chemicals to dissipate rapidly.
5. Remove floating leaves and debris with a leaf skimmer.
6. Empty skimmer basket frequently.
7. Vacuum pool bottom to remove settled debris.
8. A pool cover will help keep your pool clean during high winds or rainfall.

DOUGHBOY POOL CARE

Refer to Doughboy's "Safety First Pool Use Handbook" for correct use, care, and chemical treatment of Doughboy pools.

CHLORINE INSTRUCTIONS ALWAYS READ AND FOLLOW CHEMICAL MANUFACTURER'S SAFETY PRECAUTIONS FOR HANDLING CHLORINE

WARNING! DO NOT PLACE CHLORINE TABLETS IN THE SKIMMER BASKET! Putting chlorine tablets directly into the skimmer basket will destroy the basket and internal components. We recommend against adding any kind of chemicals directly into the skimmer! Please read the following instructions carefully. Chlorine is a strong chemical. Improper use could result in serious, permanent damage to the pool liner. This damage could include "white spots", wrinkles or breakage (brittle vinyl). Such damage is not covered under warranty.

IMPORTANT: Pump and filter should always be "ON" when adding any chemicals to pool water.

WITH DISPENSER

Dry Chlorine (tablets, sticks, granules, or powder). Use one of the following types of chlorine dispensers:

- Floating Dispenser: Use only when pump and filter are running. Dispenser must circulate in pool for safe distribution of chlorine.
- Automatic feeder (in-line or off-line).
- Chlorine generator - Approved for use. Releases chlorine from salt.

Ask your Doughboy dealer to recommend the best type of dispenser for your pool and area conditions. Follow manufacturer's instructions for correct use.

WITHOUT DISPENSER

Dry Chlorine: Use granules or powder only. Never pour dry chlorine directly into the pool water. Mix with pool water in a clean plastic container following chlorine manufacturer's safety instructions. When all chlorine has dissolved, pour solution into pool water at the return fitting. Water returning to the pool will properly distribute chlorine.

Liquid Chlorine: Liquid chlorine concentrate may be poured directly into pool water. Carefully add liquid chlorine to water at the return fitting. Water returning to the pool will distribute the chlorine. Follow chemical manufacturer's instructions for use of liquid chlorine.

EMPTY SKIMMER BASKET

Stop pump. Remove skimmer lid (1) to clean skimmer basket (4). **CAUTION:** Before lifting basket out, check for "STILL ALIVE" insects such as hornets, bees, etc. that could sting you. Then slowly lift basket out and empty it. Replace basket and lid. Start pump to resume normal skimmer operation. Clean basket regularly.

VACUUMING

Empty the skimmer basket prior to vacuuming. Clean the filter following manufacturer's instructions.

1. Stop pump. Assemble vacuum head, handle and hose. (A good smooth bore 1 1/2" hose will give the best vacuuming results.) Attach free end of hose to the large end of vacuum adaptor (18).
2. Start pump. Hold the free end of the hose against the return fitting discharge. This will force air from the hose. When the bubbles cease to rise from the vacuum head, all the air is removed. (Fig. 5 and Fig. 6). Stop pump.

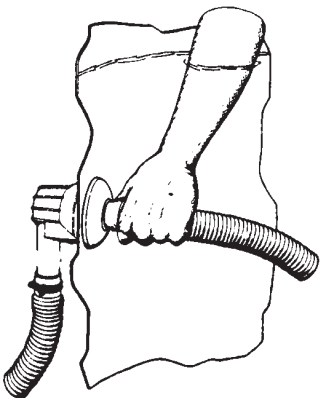


FIG. 5



FIG. 6

3. Bend the vacuum port cover (15) to the down position. Insert the tapered end of the vacuum adaptor with hose attached into exposed opening using a twisting motion. (Fig. 7).

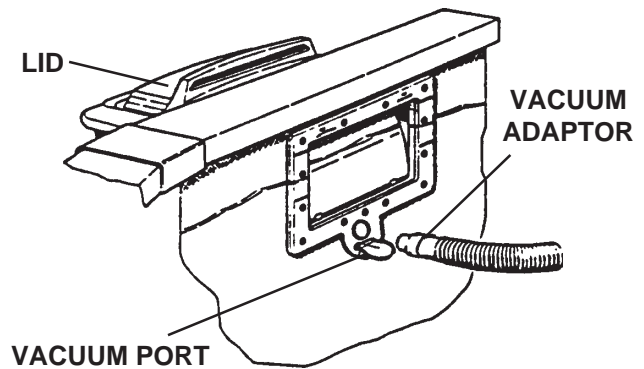


FIG. 7

4. The lid (1) performs two functions. In normal position, it covers the top of the filter. During vacuuming, this same lid becomes the sealing plate for the vacuuming. Be sure pump is "OFF". Remove the lid and lower it inside (handle grip up) to rest above the basket. Make sure air is not trapped under the lid. Trapped air will cause the lid to rise.
CAUTION: Never attempt to install the lid in the vacuuming position while your pump is running. The lid may suddenly be drawn down into position due to the pump's high suction action. You may injure your hands or fingers.
5. With the lid in place, start pump and operate vacuum over pool floor.
6. When finished vacuuming, stop pump. Remove the vacuum hose with vacuum adaptor attached from the pool. Clean the skimmer basket and your filter. Move the lid to the original position on top of the skimmer. Start pump to resume normal skimmer operation.

WINTERIZING (FREEZING CLIMATES)

We strongly recommend, for the protection of your skimmer, liner and pool wall, that you purchase and install the DOUGHBOY Winterizing Kit (0-2099-001). This kit will allow removal and storage of your skimmer and filtering system, and should eliminate any possibility of damage due to winter peril. **CAUTION:** Removing the skimmer without installing a winterizing kit is very dangerous to the pool wall, liner, and pool installation, and voids any warranty. Filter damage caused by freezing temperatures is not covered by product warranty.

1. Drain pool to 6 inches below the eyeball return fitting.
2. Remove skimmer from pool, clean and store.
3. Install the DOUGHBOY Winterizing Kit per Kit instructions.
4. Remove the return fitting eyeball by unscrewing the cover. Replace the eyeball with the shut-off disc (10) and reinstall the cover. **NOTE:** This

shut-off disc can be useful for plugging off the return fitting should maintenance be required on the filter or pump.

5. For spring startup, follow instructions under SKIMMER INSTALLATION in this guide.

IMPORTANT FILTER/PUMP SAFETY

1. **DO NOT** install pump on a deck. It could fall into the water, causing severe electrical shock. Do not install on any surface at, above, or slightly below the top rail of the pool.
2. **DO NOT** allow children or adults to climb, sit, or stand on the filter or pump units. They could easily fall. Position filter and pump approximately five (5) feet from pool wall so they may not be used as steps by children.
3. **CAUTION** pool users to stay away from the skimmer opening. Strong suction can pull hair into the opening, trapping the person and causing injury.
4. **FAILURE** to keep faceplate mounting screws and return fitting tight may cause leakage between skimmer and pool wall. Continued leakage may cause wall damage which eventually may result in pool wall failure.

SERVICING SAFETY TIPS

1. **ALWAYS TURN "OFF"** the main power switch and the Ground Fault Circuit Interrupter (GFCI)

breaker switch so power is completely off before servicing your unit.

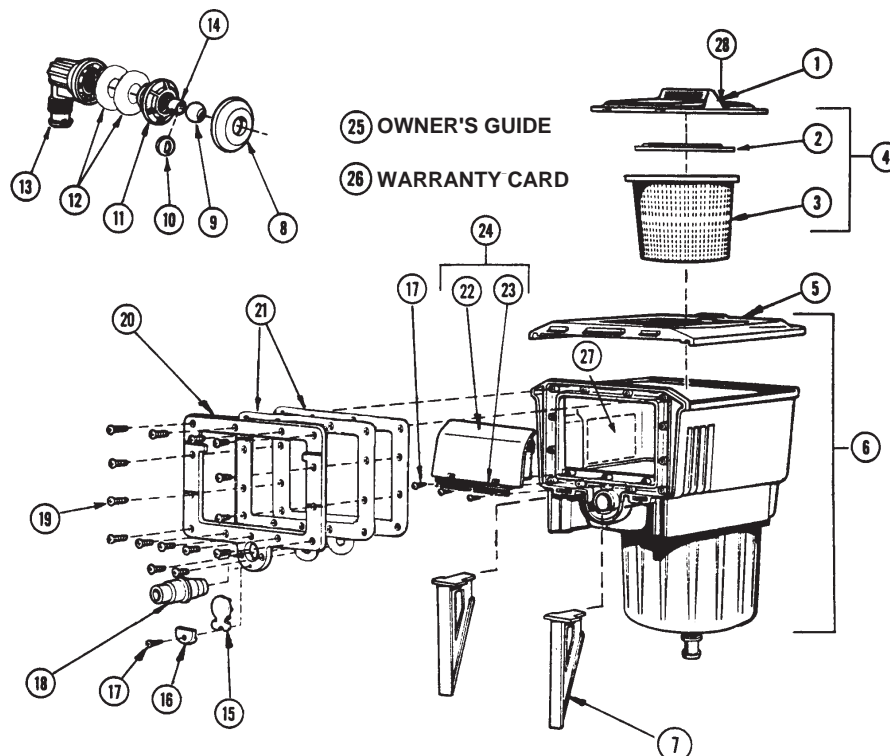
2. **ALWAYS STOP PUMP** before you service, tighten, or adjust the filter assembly.
3. **ALWAYS BE SURE THE GROUND UNDER YOUR FEET, AND YOUR BODY, IS DRY** before you touch filter or pump electrical equipment. Failure to heed this warning may cause personal injury due to severe electrical shock.
4. **ALWAYS** have a qualified electrician service your system if electrical problems occur.
5. **ALWAYS** have a qualified electrician install a Ground Fault Circuit Interrupter (GFCI) breaker at the electrical service or supply panel. Follow GFCI manufacturer's operating instructions for testing. Failure to do so may cause personal injury due to severe electrical shock.

CAUTION: To reduce the risk of electrical shock, connect only to grounding type receptacles. A Ground Fault Circuit Interrupter (GFCI) must be provided in accordance with Article 680 of the National Electrical Code (NEC) and local codes or ordinances.

CAUTION: To reduce the risk of electrical shock, use only Original Equipment Manufactured (OEM) replacement parts when servicing.

EXPLODED PARTS

Deluxe Thru-Wall Skimmer — MODELS 0-2094-003 / 0-2094-005



(See following page for corresponding parts lists)

MODEL 0-2094-003 PARTS LIST (Almond)

ITEM	P/N	QTY	DESCRIPTION	ITEM	P/N	QTY	DESCRIPTION
1	1107-1356	1	Lid & Caution Label Assy.	15	348-1028	1	Vac Port Cover
2	321-1002	1	Basket Handle	16	340-1271	1	Vac Port Cover Retainer
3	340-1139	1	Basket	17	330-1008	4	#8 x 1/2" Screw
4	1116-1045	1	Basket Assembly	18	340-1253	1	Vacuum Hose Adaptor
5	340-1232	1	Light Oak Cover	19	330-1004	15	#12 x 27/32" Screw
6	1121-1317	1	Deluxe Skimmer & Decal Assy.	20	340-1274	1	Faceplate
7	340-1248	2	Support Brace	21	307-1027	2	Skim-Line Faceplate Gasket
8	340-1238	1	Return Fitting Cover	22	1121-1458	1	Weir Float
9	348-1027	1	Eyeball	23	340-1173	1	Weir Hinge
10	340-1240	1	Shut-off Disc	24	1119-1033	1	Weir Assembly
11	340-1237	1	Return Fitting Adaptor	25	365-1804	1	Owner's Guide
12	308-1110	2	Return Fitting Gasket	26	---	1	Warranty Card
13	340-1773	1	Return Fitting Body	27	360-1474	1	Operating Instructions Label
14	340-1278	1	Eyeball Insert	28	360-1795	1	Caution Label

MODEL 0-2094-005 PARTS LIST (Gray)

ITEM	P/N	QTY	DESCRIPTION	ITEM	P/N	QTY	DESCRIPTION
1	1107-1356	1	Lid & Caution Label Assy.	15	348-1028	1	Vac Port Cover
2	321-1002	1	Basket Handle	16	340-2089	1	Vac Port Cover Retainer
3	340-1139	1	Basket	17	330-1008	4	#8 x 1/2" Screw
4	1116-1045	1	Basket Assembly	18	340-1590	1	Vacuum Hose Adaptor
5	340-2032	1	Gray Cover	19	330-1004	15	#12 x 27/32" Screw
6	1121-1459	1	Deluxe Skimmer & Decal Assy.	20	340-2090	1	Faceplate
7	340-2044	2	Support Brace	21	307-1027	2	Skim-Line Faceplate Gasket
8	340-1593	1	Return Fitting Cover	22	1121-1458	1	Weir Float
9	348-1027	1	Eyeball	23	340-2039	1	Weir Hinge
10	340-1594	1	Shut-off Disc	24	1119-1064	1	Weir Assembly
11	340-1592	1	Return Fitting Adaptor	25	365-1804	1	Owner's Guide
12	308-1110	2	Return Fitting Gasket	26	---	1	Warranty Card
13	340-1591	1	Return Fitting Body	27	360-1774	1	Operating Instructions Label
14	340-1595	1	Eyeball Insert	28	360-1794	1	Caution Label

IMPORTANT! Misuse of your pool may result in crippling injury and/or other dangers to life and health. Do not Dive or Jump! Do not use slides, diving boards, or any other platform or object which can be used for improper pool entry! Use only an *above-ground swimming pool ladder* to enter or exit your pool. It is your responsibility to secure your pool against unauthorized, unsupervised or unintentional entry. Always obey all safety rules. Remember, pool safety is everybody's responsibility.

CHANGE OF DESIGN: Doughboy Recreational expressly reserves the right to change or modify the design and construction of any product in due course of our manufacturing procedures, without incurring any obligation or liability to furnish or install such changes or modifications on products previously or subsequently sold.



"the original portable pool"

doughboy®

DOUGHBOY RECREATIONAL • 10959 Jersey Blvd. • Rancho Cucamonga, CA 91730
 Visit our website at www.doughboy-pools.com