



Timberline II

Strap Oval Pool

Parts List



Timberline II Strap Oval Pool — Parts List

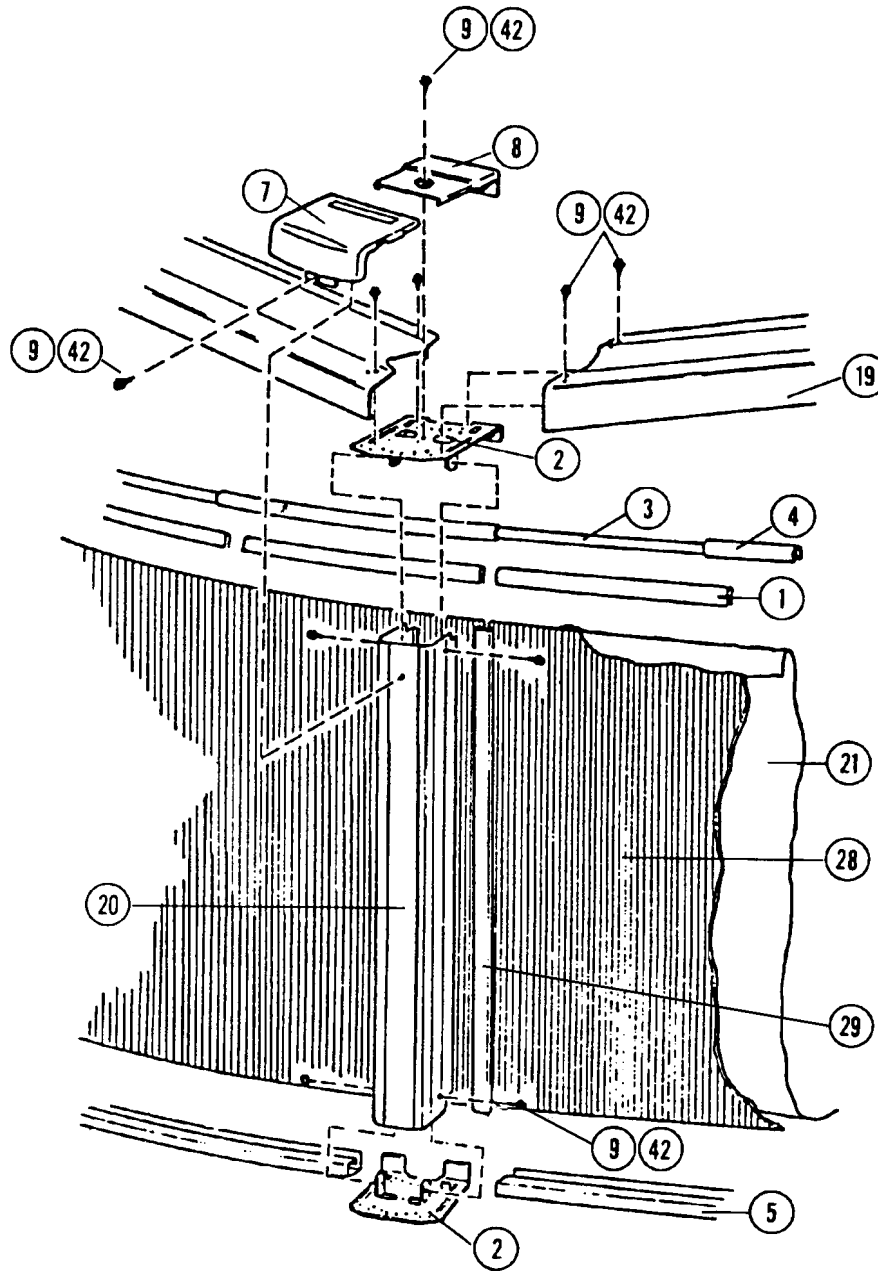
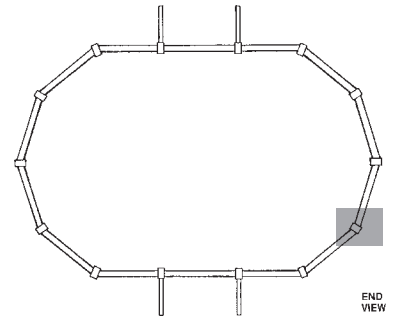
ITEM #	DESCRIPTION	20' x 12' x 48"		24' x 12' x 48"	
		PART #	QTY.	PART #	QTY.
	ASSEMBLY PACK	0-9902-400	1	0-9942-400	1
1.	Plastic Coping, 24"	545-1001	30	545-1001	33
2.	Vertical End Cap	580-1594	24	580-1594	26
3.	Stabilizer Rail, small dia.	583-1012	8	583-1012	8
4.	Stabilizer Rail, large dia.	583-1011	10	583-1011	12
5.	Bottom Rail (Stamped 12)	589-1046	12	589-1046	12
6.	Side Rail (Stamped S)	589-1052	2	589-1052	4
7.	4" Outer Connector	580-1546	14	580-1546	16
8.	Inner Connector	5186-1186	14	5186-1186	16
*9.	Sheet Metal Screw #10 x 3/8" Hexwasher Head, Type AB	510-1000	100	510-1000	100
10.	Pool Parts List	573-2818	1	573-2818	1
11.	Pool Installation Instructions	573-2823	1	573-2823	1
12.	"Read Me First" Booklet	573-2777	1	573-2777	1
13.	"Enjoy Your Pool" Booklet	573-2743	1	573-2743	1
14.	"Safety First" Booklet	573-2778	1	573-2778	1
15.	"Children Aren't . . ." Brochure	573-2338	1	573-2338	1
16.	"Pool & Spa . . ." Brochure	573-2393	1	573-2393	1
17.	Warranty Card - Metal	—	1	—	1
18.	Product Registration Card	565-1117	1	565-1117	1
	TOP RAIL PACK	0-9841-400	1	0-9861-400	1
19.	Top Rail	587-1192	14	587-1192	16
	VERTICAL PACK	0-9710-400	1	0-9710-400	1
20.	Vertical	580-1156	10	580-1156	10
	POOL LINER CARTON				
***21.	Pool Liner	0-2012-___	1	0-2412-___	1
22.	Chlorine/Winterizing Instructions	573-2421	1	573-2421	1
23.	"Warning" Decal	560-1041	3	560-1041	3
24.	Warranty Card - Liner	—	1	—	1
**25.	Repair Patch	564-1000	1	564-1000	1
26.	"Shallow" Decal	560-1043	3	560-1043	3
27.	"Read Me First" Booklet	573-2777	1	573-2777	1
	SIDEWALL CARTON				
28.	Sidewall	0-0008-002	1	0-0008-042	1
29.	Joint Piece	580-1002	1	580-1002	1
30.	Warranty Card - Metal	—	1	—	1
31.	"Warning" Sign	560-1046	1	560-1046	1
32.	"Read Me First" Booklet	573-2777	1	573-2777	1
33.	Black Marking Pen	332-1079	1	332-1079	1
34.	Adhesive Squares	310-1034	6	310-1034	6
35.	Safety Video	573-2500	1	573-2500	1
	SUPPORT PACK 4 — CARTON	0-8495-004	1		
	SUPPORT PACK 6 — CARTON			0-8495-006	1
36.	Side Vertical	580-1615	4	580-1615	6
37.	Vertical Brace	580-1208	4	580-1208	6
38.	Bottom Rail Connector	580-1793	4	580-1793	6
39.	Foundation Beam	580-1880	4	580-1880	6
40.	Tension Strap	580-1225	2	580-1225	3
41.	Pressure Pad	580-1273	4	580-1273	6
*42.	Sheet Metal Screw, #10 x 3/8", Type AB	510-1000	48	510-1000	72
*43.	High Strength Bolt 1/4"-20 x 1/2" hex head	510-1018	16	510-1018	24
*44.	Hex Nut, 1/4"-20	511-1000	16	511-1000	24

*Screws are available in most hardware stores.

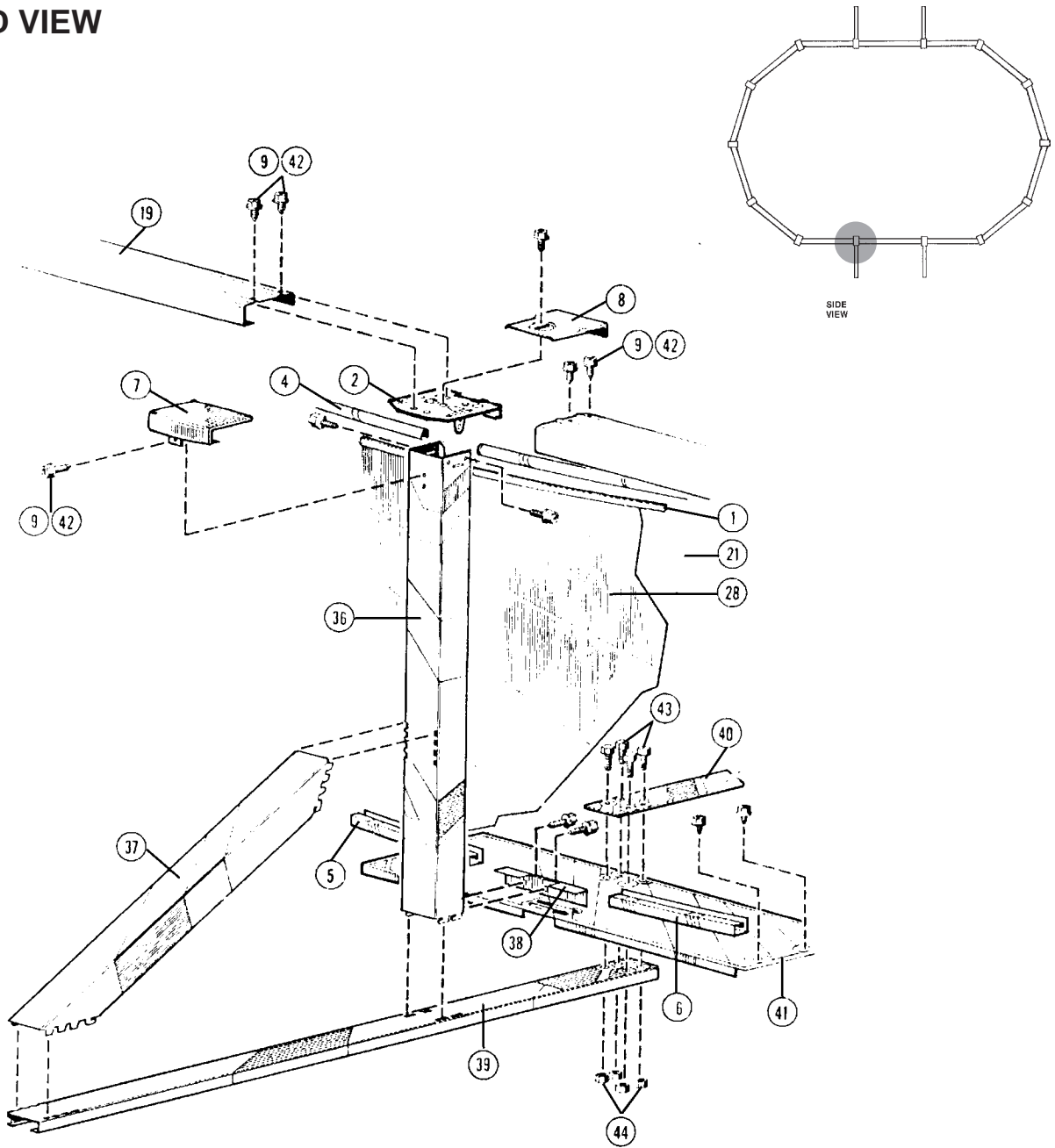
**For additional patch kits order Part No. 0-5604-000.

***Write the number of your liner in the spaces provided here and above. #_____.

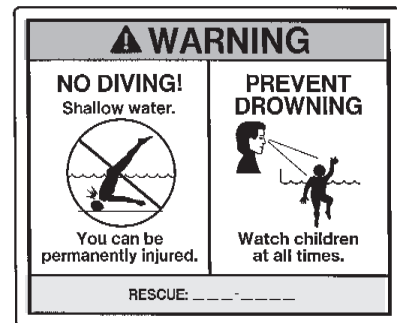
EXPLODED VIEW



EXPLODED VIEW



Change of Design: Doughboy Recreational expressly reserves the right to change or modify the design and construction of any product in due course of their manufacturing procedures, without incurring any obligation to furnish or install such changes or modifications on products previously or subsequently sold.



"the original portable pool"

doughboy®

DOUGHBOY RECREATIONAL • 10959 Jersey Blvd. • Rancho Cucamonga, CA 91730

DB 695-029

Made in the United States of America

Copyright © 1995